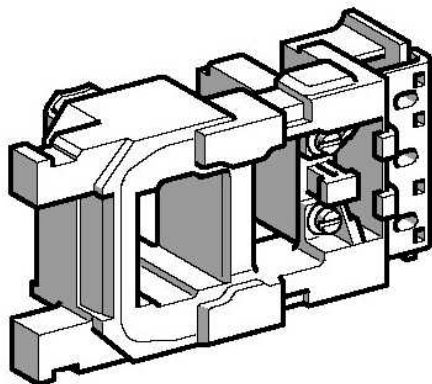


Price*: 108.00 USD



Main

Commercial Status	Commercialised
Range of product	TeSys F
Product or component type	Contactor coil
Device short name	LX4FG
Control circuit type	DC low consumption
Control circuit voltage	24 V DC
Average resistance	169 Ohm holding at 68 °F (20 °C) 0.79 Ohm inrush at 68 °F (20 °C)
Inductance of closed circuit	14.9 H
Product compatibility	LC1F185 LC1F225
Operating time	30...50 ms opening 30...40 ms closing
Mechanical durability	10 Mcycles
Operating rate	2400 cyc/h at <= 131 °F (55 °C)

Complementary

Coil technology	Without built-in suppressor module
Control circuit voltage limits	0.15...0.2 Uc at 131 °F (55 °C) drop-out 0.85...1.1 Uc at 131 °F (55 °C) operational
Inrush power in W	800 W at 68 °F (20 °C)
Hold-in power consumption in W	5 W at 68 °F (20 °C)

Environment

Ambient air temperature for operation	> 23...131 °F (> -5...55 °C)
Product weight	1.21 lb(US) (0.55 kg)

Ordering and shipping details

Category	22341 - CONTACTOR,D,K,&F ACCESS
Discount Schedule	I12
GTIN	00785901083535
Nbr. of units in pkg.	1
Package weight(Lbs)	1.27
Returnability	Y
Country of origin	CZ