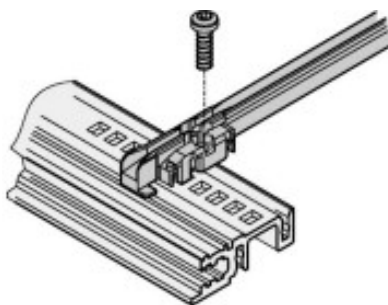
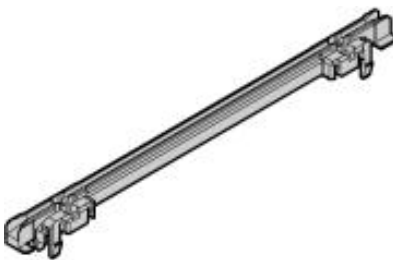
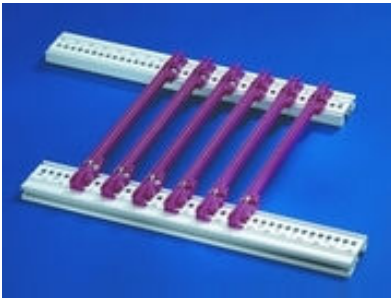
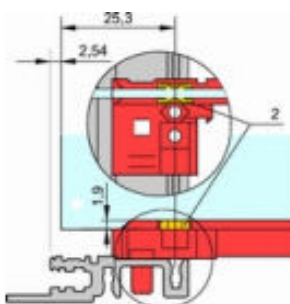


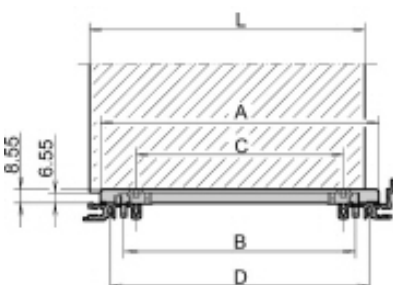
Guide rail, 220 mm deep



Optional screw fixing



Optionally with ESD clip



Part no.: 24560-353

Features:

- Plastic guide rail (red) for 2 mm groove width
- Assembly
 - Can be clipped into horizontal rails in Al extrusion
 - Can be clipped into 1.5 mm thick plate
- Storage temperature: from -40 °C ... 130 °C



Technical information:

Description	Board length	Groove width	Material	Finish	Qty
standard type	220 (mm)	2 (mm)	PBT, UL 94 V-0	red	PU 10 pieces

Accessories:

Part no.	Description	
24560-141	Torx panhead screw 2.5 × 9.3, zinc-plated, Qty: 100 pieces	Add to basket
24560-255	ESD clip for guide rails Qty: 50 pieces	Add to basket
21500-039	Panhead screw with Torx M2.5 x 9.3, St, zinc-plated, self-locking, PU 100 pieces	Add to basket

**Dimensions
table**

Board height	Dimensions			
L	A	w	C	D
mm	mm	mm	mm	mm
220	221.5	195	180	210

- a: length of rail
- B: Pitch of snap-in fixing
- C: Pitch of guide rail retention screws
- D: Pitch of horizontal rail retention screws

Product illustrations are exemplary illustrations and can deviate from supplied products.