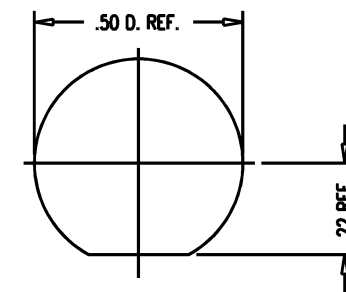
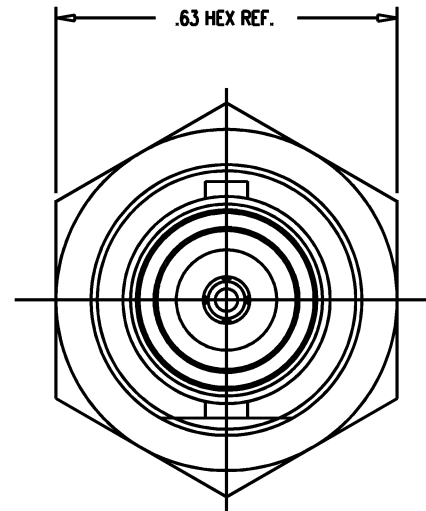
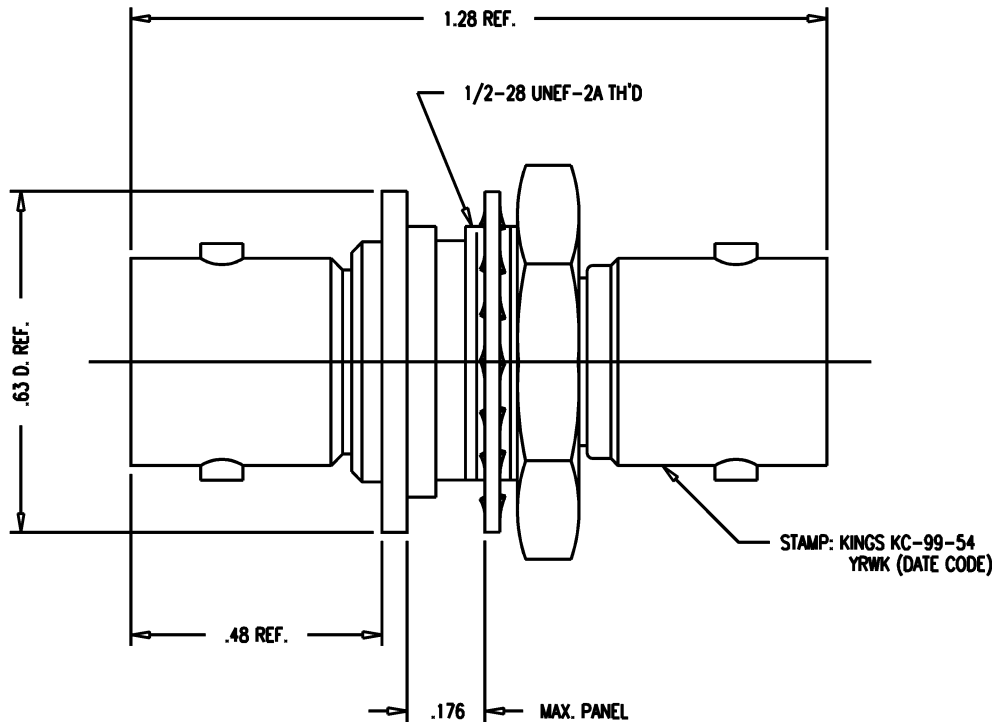


DASH NO.	M CODE	MADE FROM
----------	--------	-----------

GSD

KC-99-54

REVISIONS	
ISSUE	CHANGES
9	CN 36716 C REDRAWN KH 12/06/95
10	CN 37888 B GEH 09/02/99
11	CN 38558 E TML 05/21/02



MOUNTING HOLE

NOTES:

- INTERFACES PER MIL-STD-348, FIG. 301-2.
- MATERIALS:
INSULATORS-TEFLON, ASTM-D-4894
CENTER CONTACT-BER. COP., ASTM-B-196
ALL OTHER METAL PARTS-BRASS, ASTM-B16
- FINISHES:
CENTER CONTACT: SILVER PLATE PER QQ-S-365
ALL OTHER METAL PARTS-KINGS TARNISH RESISTANT NICKEL FINISH (TR-5)
- ELECTRICAL CHARACTERISTICS:
NOMINAL IMPEDANCE-50 OHMS
WORKING VOLTAGE-500 VRMS
FREQUENCY RANGE-DC TO 4 GHz

UNLESS OTHERWISE SPECIFIED

1. TOLERANCES: FRACTIONS & 2 PLACE DECIMALS $\pm .010$
3 PLACE DECIMALS $\pm .004$ ANGLES ± 1 -
CONCENTRICITY OF ANY 2 DIAMETERS MAY NOT
EXCEED HALF THE SUM OF THEIR TOLERANCES.

2. REMOVE ALL BURRS, BREAK SHARP EDGES .005 MAX.
3. NO FILLETS PERMITTED.
4. SURFACE ROUGHNESS 63 MICRONS RMS MAX.
5. ALL DIMENSIONS PRIOR TO PLATING.
6. ALL PLATING IN ACCORDANCE WITH KER 10004.

7. ALL LEAD THREADS TO BE
CHAMFERED 45- TO ROOT DIAMETER.
*CRITICAL DIMENSIONS

GSD

SCALE 4:1	
APPROX SURFACE AREA	
USED ON	
REF:	
ADAPTER, F-F, BULKHEAD ISOLATED GROUND, BNC-BNC	
DRAWN	VLS DATE/16/95
DESIGN	VLS DATE/16/95
APPR.	VLS DATE/16/95

KINGS
ELECTRONICS CO., INC.
ROCK HILL, SOUTH CAROLINA 29730

KC-99-54