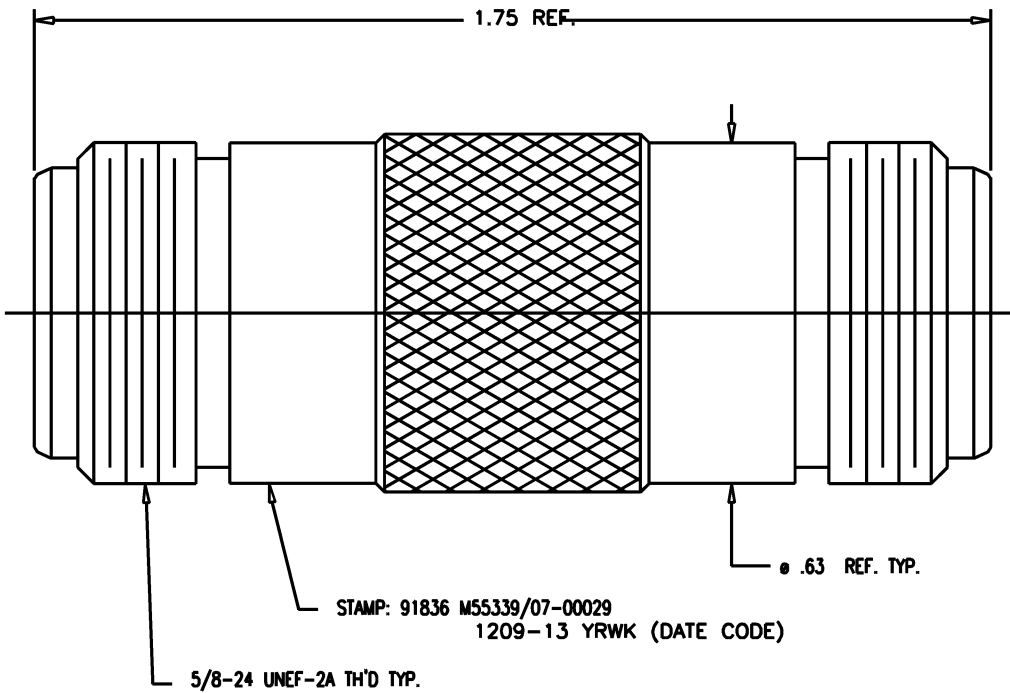


DASH NO.	M CODE	MADE FROM
----------	--------	-----------

# GSD

M55339/07-00029

REVISIONS	
ISSUE	CHANGES
6	CN 39480 E REDRAWN DRK 05/31/06



- NOTES:
- INTERFACES PER MIL-STD-348, FIG. 304-2.
  - MATERIALS:  
INSULATORS: TEFLON, ASTM-D4894  
CONTACT: BER. COP., ASTM-B196  
ALL OTHER PARTS: BRASS, ASTM-B16
  - FINISHES:  
CENTER CONTACT: GOLD PLATE, ASTM-B488  
ALL OTHER PARTS: SILVER PLATE, ASTM-B700
  - ELECTRICAL CHARACTERISTICS:  
NOMINAL IMPEDANCE: 50 OHMS  
VOLTAGE RATING: 1000 VRMS  
FREQUENCY RANGE: DC TO 11 GHz

SCALE	4:1		
APPROX SURFACE AREA			
USED ON			
REF:	1209-13		
ADAPTER, F-F, N			
DRAWN	DRK	DATE	05/31/06
DESIGN		DATE	
APPR.		DATE	

# GSD

 ELECTRONICS CO., INC. ROCK HILL, SOUTH CAROLINA 29730	
M55339/07-00029	