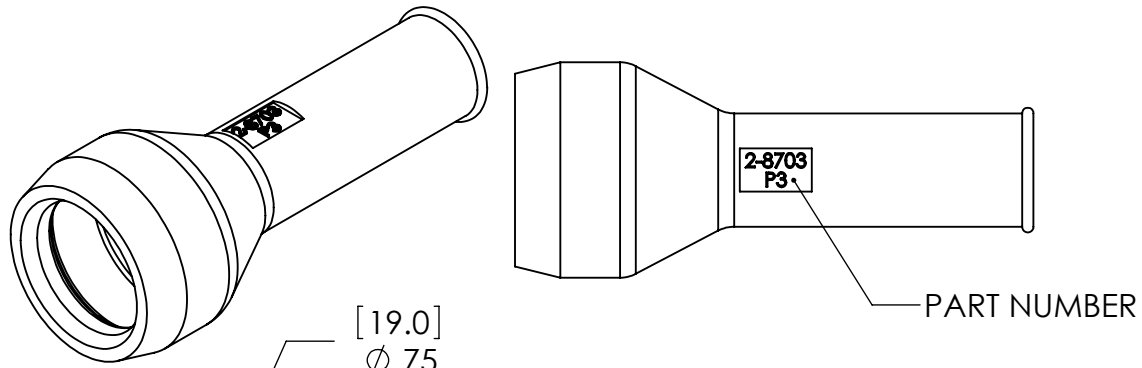


THE INFORMATION CONTAINED IN THIS DRAWING IS THE SOLE PROPERTY OF ANDERSON POWER PRODUCTS. ANY REPRODUCTION IN PART OR WHOLE WITHOUT THE WRITTEN PERMISSION OF ANDERSON POWER PRODUCTS IS PROHIBITED.

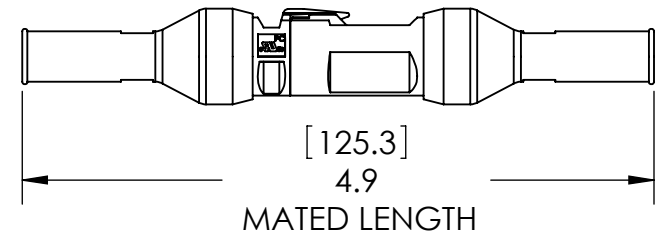
**Copyright 2010**

ANDERSON POWER PRODUCTS RESERVES THE RIGHT TO ALTER PRODUCT TYPES, THEIR TECHNICAL DATA, DIMENSION, STYLE AND ACCESSORIES WITHOUT PRIOR NOTIFICATION.



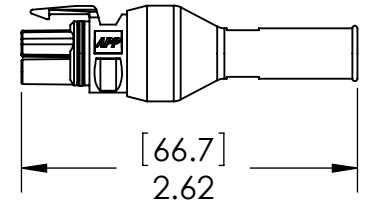
PART NUMBER

[19.0]  
Ø.75



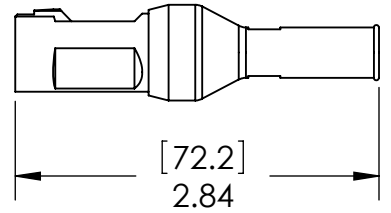
[125.3]  
4.9  
MATED LENGTH

SHOWN WITH RECEPTACLE SK1-016M03

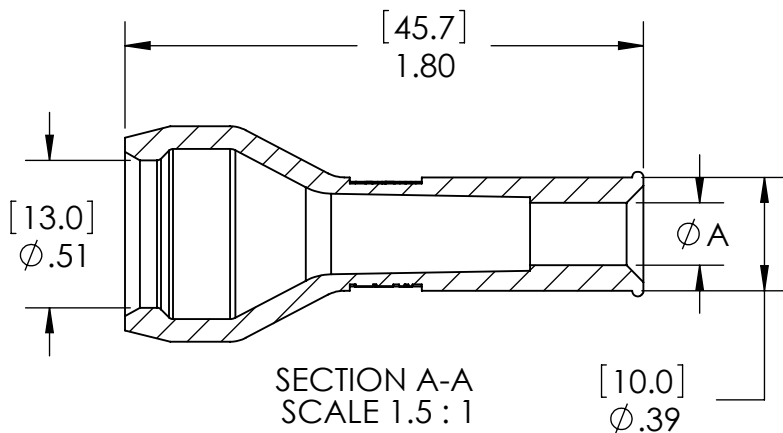


[66.7]  
2.62

SHOWN WITH PLUG SK6-016M03



[72.2]  
2.84



SECTION A-A  
SCALE 1.5 : 1

[45.7]  
1.80

[13.0]  
Ø.51

[10.0]  
Ø.39

Ø A

P/N	Ø A
2-8703P3	[.22] Ø 5.5
2-8703P4	[.260] Ø 6.5

NOTES:

- REFER TO ASSEMBLY INSTRUCTIONS 1S6525.

DIMENSIONS ARE IN: INCH [MM]		<b>APPROVALS</b>		<b>ANDERSON POWER PRODUCTS</b>	
UNLESS OTHERWISE STATED		DRAWN	NTS	12/13/2010	TITLE <b>3 POSITION MINI SPEC PAK™ PROTECTIVE BOOTS</b>
TOLERANCES:		CHECKED	LLD	12/14/2010	
DECIMALS (INCH)	DECIMALS (MM)	ANGLES			
.XX ± .02	.X ± .5	±2°			
SURFACE FINISH:		MFG APPRV	CHB	12/14/2010	SIZE A
MACHINED	128 [3.2] ✓	QC APPRV	UJN	12/15/2010	
MOLDED	64 [1.6] ✓	ENG APPRV	CHB_BD	12/14/2010	DWG NO. 115046S1
MATERIAL:		FINISH:		SCALE	REV. 0
3rd ANGLE PROJECTION		NONE		CADFILE	SHEET
		-CAD GENERATED DRAWING- DO NOT MANUALLY UPDATE DO NOT SCALE		03336	1 OF 1