

SNAP ACTION

CUSTOM ASSEMBLIES

PUSH BUTTON

SEALED

ROCKER

INDICATOR

SLIDE

VANDAL RESISTANT

ILLUMINATED

ACTIVE TOUCH

Series 48 EM



Flex-Tech Miniature Sealed Pushbutton Switches

This multi-option sealed pushbutton series offers the utmost in choices of mounting style, button colours, terminations, bezels, lighting and momentary or maintained switching. The Series 48 offers all these options in one compact package size.

Key Features

- Momentary or maintained action
- Gold contacts
- Large choice of button colours
- Choice of LED colours (or non-illuminated versions)
- Long life
- Solder or PC terminals
- Panel sealed to IP67
- Square and round bezel versions available

Typical Applications

- Office equipment
- Medical equipment
- Industrial machinery
- Outdoor controls
- Mass transportation
- Food processing equipment

TW Switches

Standards / Agency / Ratings



Patent # 6,965,085

Series 48 EM

Flex-Tech

Miniature

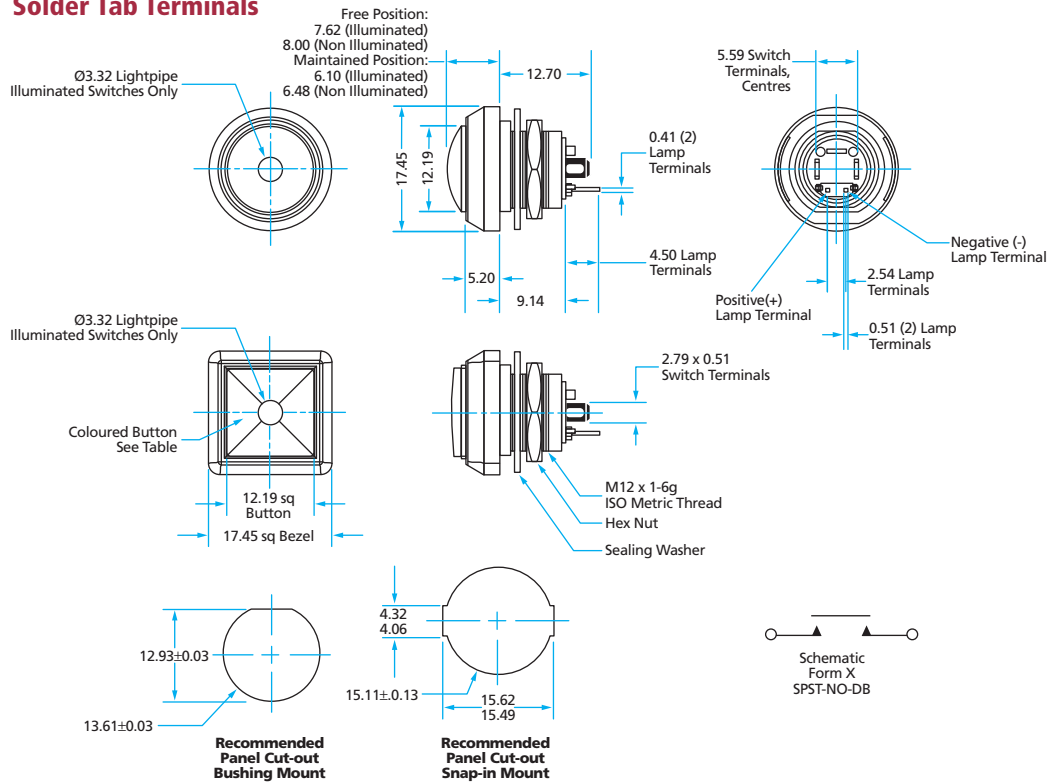
Sealed

Pushbutton

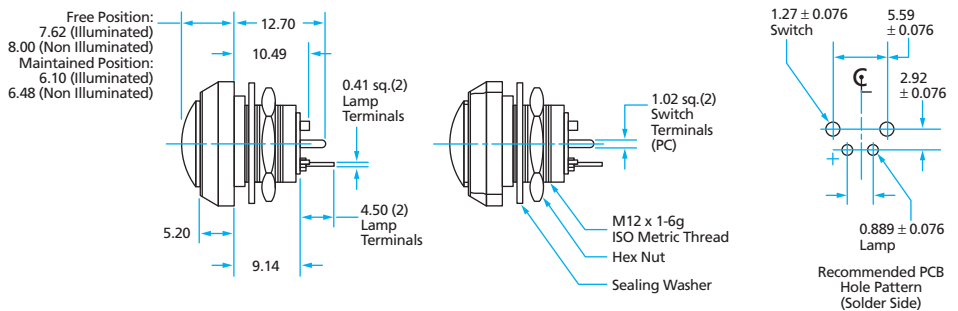
Mechanical/Electrical Characteristics:

- **Circuit**
SPST-NO-DB
- **Button travel (nominal)**
2.3mm
- **Life (mechanical):**
1,000,000 cycles max (momentary)
100,000 cycles max (maintained)
- **Operating force (nominal)**
3N/306g
- **Contact bounce (nominal)**
1 ms
- **Panel thickness**
0.5-3mm
- **Temperature (operating)**
-40°C to +85°C
- **Current ratings**
10mA, 12 VDC Res.
- **Dielectric strength**
1,000 VAC
- **Insulation resistance**
1G OHM
- **Contact resistance**
50m OHMS
- **Torque (max) (Fixing Nut)**
1-2 Newton Metre

Solder Tab Terminals



PC Terminals



Ordering Information

Switch Function	Switch Termination	Module Type	Bezel Type	LED Colour	Button Colour	Mounting Type
Momentary	Solder Tabs	48-1	RB - Round, Black	N - None	RD - Red	B - Bushing
Maintained	Solder Tabs	48-2	SB - Square, Black	R - Red	GR - Green	S - Snap Fit
Momentary	PC	48-5	RC, Round Chrome	G - Green	BK - Black	
Maintained	PC	48-6	SC, Square Chrome	Y - Yellow	BL - Blue	
				A - Amber	Y - Yellow	
				B - Blue	OR - Orange	
				W - White	CR - Chrome	
					WH - White	

48-X -XX -X -XX -X

ITW Switches

ITW Switches Limited
Norway Road, Portsmouth, Hampshire PO3 5HT United Kingdom
Tel: 023 9265 6200 Fax: 023 9266 6352
Email: info@itwswitches.co.uk

www.itwswitches.co.uk