

# SACC-E-FS-5CON-M16/0,5 SCO


Order No.: 1520039

<http://eshop.phoenixcontact.net/phoenix/treeViewClick.do?UID=1520039>

Sensor/Actuator flush-type socket, 5-pos., M12-SPEEDCON, A-coded, front/screw mounting with M16 thread, with 0.5 m TPE litz wire, 5 x 0.25 mm<sup>2</sup>



## Commercial data

EAN	 4 046356 020121
Pack	1 pcs.
Customs tariff	85444290
Gross weight in pieces	0.0226 KG
Net weight per piece (exclusive packing)	0.0224 KG
Catalog page information	Page 28 (PC-2011)

## Product notes

WEEE/RoHS-compliant since:  
12/20/2005



<http://www.download.phoenixcontact.com>  
Please note that the data given here has been taken from the online catalog. For comprehensive information and data, please refer to the user documentation. The General Terms and Conditions of Use apply to Internet downloads.

## Technical data

### General data

Rated current at 40°C	4 A
Rated voltage	60 V
Number of positions	5
Volume resistance	≤ 3 mΩ

Insulation resistance	≥ 100 MΩ
Length of cable	0.5 m
Ambient temperature (operation)	-25 °C ... 85 °C (Plug / socket)

#### General characteristics

Standards/regulations	M12 plug-in connector IEC 61076-2-101
Coding	A - standard
Surge voltage category	II
Pollution degree	3
Degree of protection	IP67
Contact material	CuZn
Contact surface material	Ni/Au
Contact carrier material	PA 66
Material, knurls	Zinc die-cast, nickel-plated
Sealing material	NBR
Mounting type	Front mounting M16 x 1.5
Connection method	Individual wires
Status display	No

#### Conductor data

Cable type	TPE litz wire
Conductor cross section	0.34 mm <sup>2</sup>
AWG signal line	22
Conductor structure signal line	7x 0.25 mm
Core diameter including insulation	1.2 mm ±0.07 mm
Thickness, insulation	0.21 mm
Wire colors	Black, brown, blue, white, gray
Material conductor insulation	TPE
Conductor material	Tin-plated Cu litz wires
Insulation resistance	≥ 20 MΩ*km
Conductor resistance	≤ 57.6 mΩ/m
Nominal voltage, conductor	300 V
Test voltage, conductor	2000 V AC
Ambient temperature (operation)	-25 °C ... 90 °C (cable, fixed installation)

### Certificates / Approvals



Certification

GOST, UL Recognized

Certifications applied for:

Certification Ex:

### Accessories

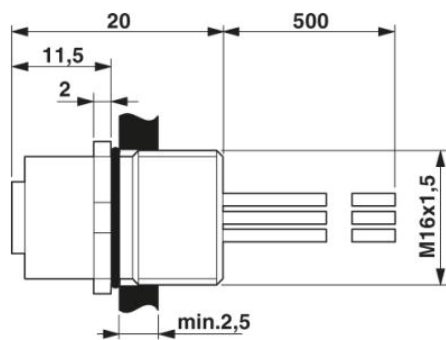
Item	Designation	Description
------	-------------	-------------

#### Assembly

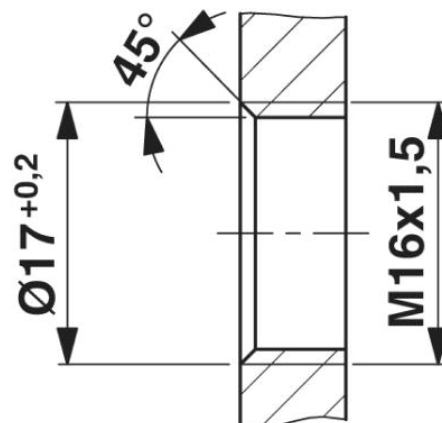
1504097	SACC-E-MU-M16	Flat nut with M16 thread
---------	---------------	--------------------------

### Diagrams/Drawings

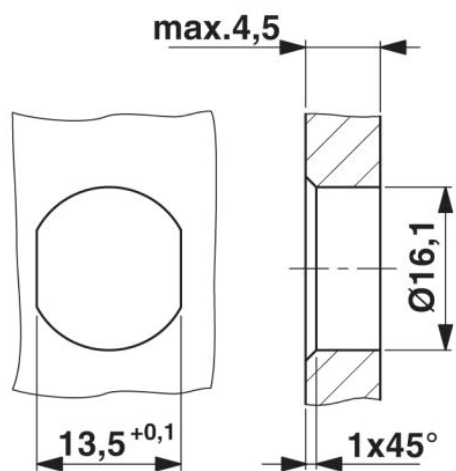
Dimensioned drawing



M12 flush-type plug

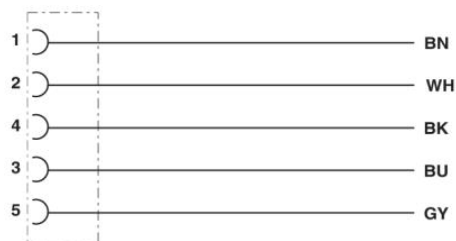


Housing cutout for M16 fastening thread,  
mounting panel with thread



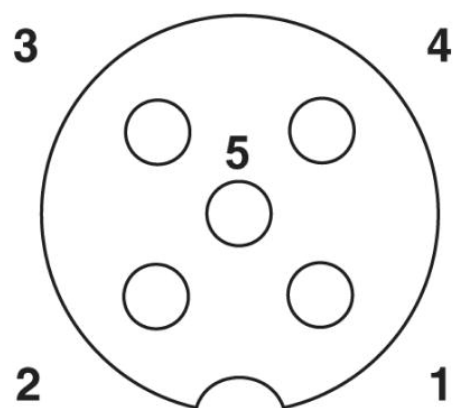
Housing cutout for M16 fastening thread, mounting panel with feed-through hole (alternatively with surface as protection against rotation)

Circuit diagram



Contact assignment of the M12 plug and the M12 socket

Schematic diagram



Pin assignment M12 socket, 5-pos., A-coded, socket side view

**Address**

PHOENIX CONTACT Ltd  
Halesfield 13  
Telford Shropshire TF7 4PG,GB  
Phone 01952 681 700  
Fax 01952 681 799  
<http://www.phoenixcontact.co.uk>



© 2013 Phoenix Contact  
Technical modifications reserved;