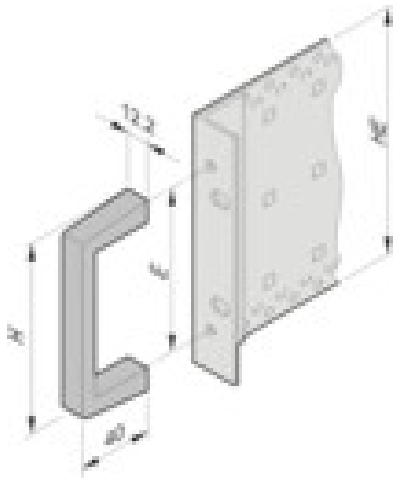
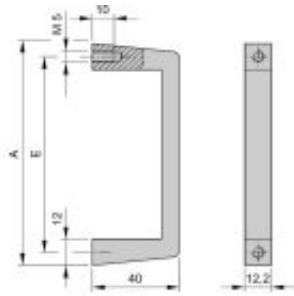


## Front handle



Product illustrations are exemplary illustrations and can deviate from supplied products.

Part no.: 10501-005

### Features:

- Load-carrying capacity  
30 kg

Standard pack quantity 10



### Technical information:

Description	A	E
Front handle 3 for 19" front panel	102 (mm)	88 mm

### Delivery comprises: kit

Item	Qty	Description
1	1	Front handle, anodised aluminium extrusion

### Accessories:

Part no.	Description	
<b>21100-234</b>	Pozidrive countersunk screw M5 × 12, zinc-plated, PU 100 pieces	
<b>24560-182</b>	countersunk head screw Torx countersunk screw M5 × 12, 4 pieces	
<b>21100-788</b>	Panhead pozidrive screw self-locking, M5 × 12, zinc-plated, PU 100 pieces	
<b>24560-183</b>	Torx countersunk screw M5 × 12, zinc-plated, 100 pieces	