

ENG. NO

EDP NO.

SIMILAR ITEM

CADFILE NO.

DO NOT SCALE DRAWING

F

E

D

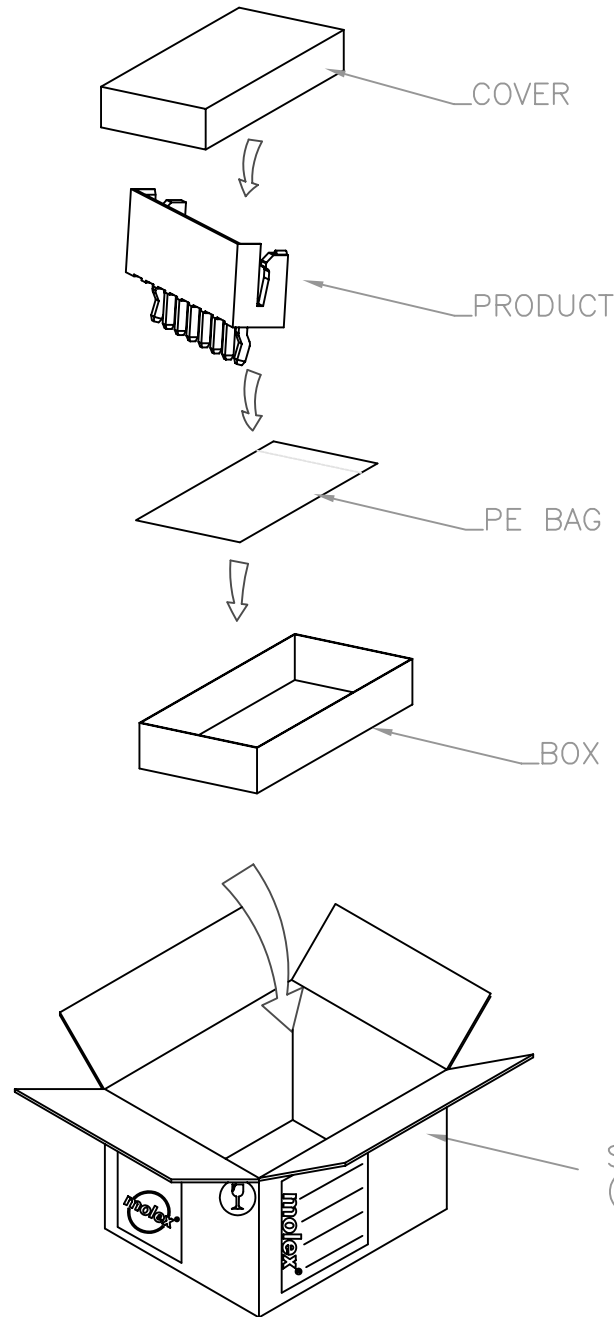
C

B

A

TABLE OF PRODUCT

MOLEX P/N						CIRCUITS	QTY/PER BOX	SPQ/PER CARTON
WHITE	BLACK	RED	BLUE	YELLOW	GREEN			
48104-0220	48104-0221	48104-0222	48104-0223	48104-0224	48104-0225	2	2000PCS	48,000 PCS
48104-0320	48104-0321	48104-0322	48104-0323	48104-0324	48104-0325	3	1700PCS	40,800 PCS
48104-0420	48104-0421	48104-0422	48104-0423	48104-0424	48104-0425	4	1500 PCS	36,000 PCS
48104-0520	48104-0521	48104-0522	48104-0523	48104-0524	48104-0525	5	1300 PCS	31,200 PCS
48104-0620	48104-0621	48104-0622	48104-0623	48104-0624	48104-0625	6	1000 PCS	24,000 PCS
48104-0720	48104-0721	48104-0722	48104-0723	48104-0724	48104-0725	7	900 PCS	21,600 PCS
48104-0820	48104-0821	48104-0822	48104-0823	48104-0824	48104-0825	8	800 PCS	19,200 PCS
48104-0920	48104-0921	48104-0922	48104-0923	48104-0924	48104-0925	9	700 PCS	16,800 PCS
48104-1020	48104-1021	48104-1022	48104-1023	48104-1024	48104-1025	10	600 PCS	14,400 PCS
48104-1120	48104-1121	48104-1122	48104-1123	48104-1124	48104-1125	11	600 PCS	14,400 PCS
48104-1220	48104-1221	48104-1222	48104-1223	48104-1224	48104-1225	12	500 PCS	12,000 PCS
48104-1320	48104-1321	48104-1322	48104-1323	48104-1324	48104-1325	13	400 PCS	9,600 PCS
48104-1420	48104-1421	48104-1422	48104-1423	48104-1424	48104-1425	14	400 PCS	9,600 PCS
48104-1520	48104-1521	48104-1522	48104-1523	48104-1524	48104-1525	15	300 PCS	7,200 PCS



NOTES:

1. STAPLES SHOULD ONLY BE USED TO SET UP CARTON. ALL CARTON CLOSURES MUST BE DONE WITH TAPE.
2. FILL PACKAGING BOXES WITH THE QUANTITIES AS INDICATED IN THE CHART
3. A QUANTITY OF CONNECTORS PER BOX TO SEE TABLE
4. A CARTON INCLUDE 24 BOXES

New Release EC NO. T2004-0186 DRWN: LED LI CH: K APPR:	QUALITY SYMBOLS MAJOR = CRITICAL =	GENERAL TOLERANCES: (UNLESS SPECIFIED)		SCALE	DESIGN UNITS	DIMENSIONS: <input type="checkbox"/> mm <input type="checkbox"/> INCH <input checked="" type="checkbox"/> mm ONLY	SHT REV REVISE ON CAD ONLY	
		mm	INCH	DRAWN BY & DATE	TITLE:			
		4 PLACES \ . \ .	3 PLACES \ . \ .	2 PLACES \ . \ .	1 PLACE \ . \ .	LED LI 7/03'04	PACKAGING FOR P2.5 WTB (M) V (EH)	
		ANGULAR: \ . \ .				CHECKED BY & DATE		MOLEX INCORPORATED
DRAFT WHERE APPLICABLE MUST REMAIN WITHIN DIMENSIONS				APPROVED BY & DATE	CAD FILENAME	MATERIAL NO.	DRAWING NO.	
				LED LI 7/03'04	PK4810402S1.PDF	SEE TABLE	PK-48104-002	1 of 1
THIS DRAWING CONTAINS INFORMATION THAT IS PROPRIETARY TO MOLEX INCORPORATED AND SHOULD NOT BE USED WITHOUT WRITTEN PERMISSION.								SIZE A3