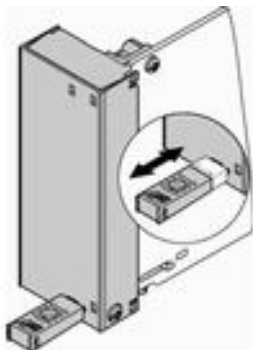
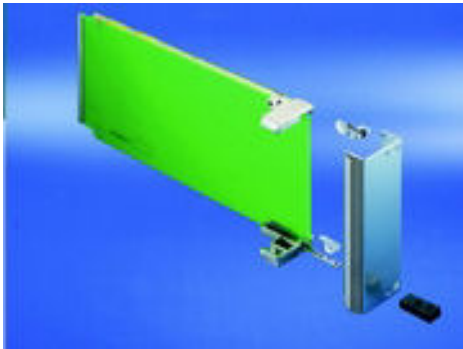


AdvancedMC module mechanism, pull-handle mechanism, PIGMG AMC.0 R2.0RC1.2



Pull-handle mechanism

Part no.: 20849-132

Features:

- Shielded
- For installation in MicroTCA chassis or AdvancedMC carriers (e.g. conventional, cutaway and hybrid carriers)
- For conventional, cutaway and hybrid carrier
 - Stainless steel
 - Aluminium profile; for foil labelling
- Insertion/extraction mechanics in accordance with AdvancedMC standard
- Designed for microswitch activation (hot-swap); interlocking of modules without screws
- Inclusive of light pipes
- Front panel, stainless steel

Add to basket



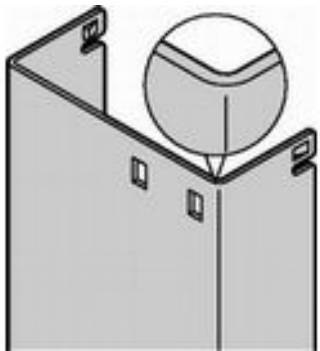
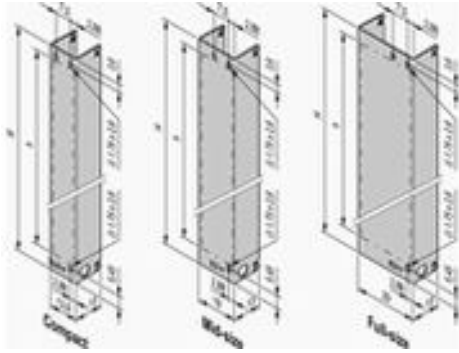
NEW PRODUCT



Technical information:

Description	Feature 07	H	h
Double full size, 6 HP	Front panel, stainless steel	148,8 mm	135,8 mm

Downloads:



Product illustrations are exemplary illustrations and can deviate from supplied products.

3D PDF with CAD data (STEP/DWG/DXF/PDF) ([Log in](#) Required)

User Manual ([Log in](#) Required)

User manual EMC gasket ([Log in](#) Required)

LED positions (technical drawing) ([Log in](#) Required)

Microswitch layout and board dimensions (technical drawing) ([Log in](#) Required)

AdvancedMC Packaging Solutions (PDF)

Kostenoptimierter Nachfolger

FAQs on AdvancedTCA carriers and AdvancedMC modules

MicroTCA specification

To gain access to the additional information you must [Log in](#).

If you do not yet have a user name, you may [Register here](#).

Delivery comprises: Kit

Item	Qty	Description
1	1	U-shaped front panel, brushed stainless steel, 0.6 mm
2	1	Accepts light pipe and board bracket at top, Zn die-cast, nickel-plated
3	1	Light pipe at top, PC, UL 94 V-0
3a	1	Light pipe at bottom, PC, UL 94 V-0
4	1	Insertion/extraction mechanics, with microswitch operation and PCB bracket
5+6	1	Handle, PC, UL 94 V-0, black
7	1	Lateral EMC gasketing, core: foam, sleeve: textile cladding with CuNi coating
8	1	Lower EMC gasketing, core: foam, sleeve: textile cladding with CuNi coating

9	1	Assembly kit
---	---	--------------

Accessories:

Part no.	Description	
20849-209	Microswitch for AdvancedMC modules normally open, for soldering (SMD), Qty: 10 pieces	Add to basket

Note:

- Schroff offers extensive modification options with the Front Panel Service, including customized cut-outs, foils and silk-screen printing, www.frontpanelexpress.com