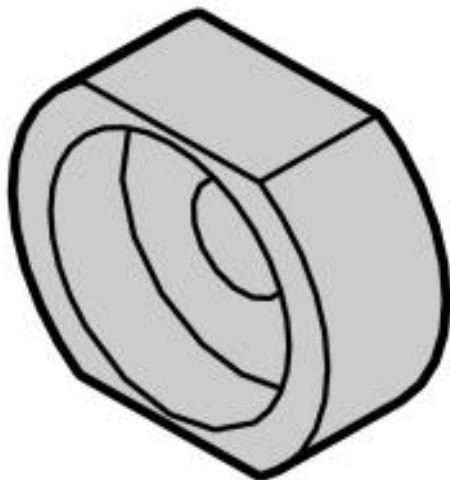


## Metal sleeve



**Part no.: 21100-660**

**Features:**

- Metal sleeves allow low ohmic contact between the collar screw and anodised partial front panel

Add to basket

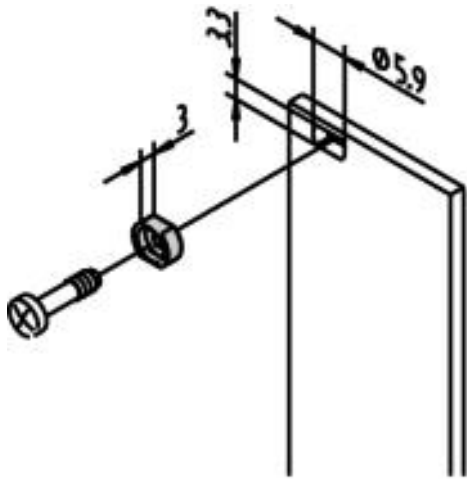


**Technical Information:**

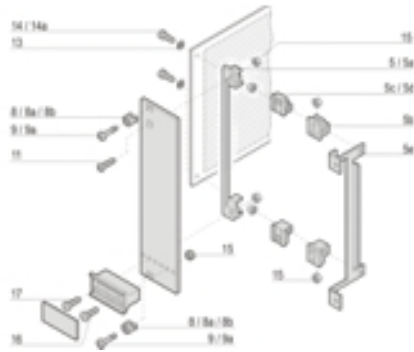
| Description   | Description          | Qty/PU    | Application               |
|---------------|----------------------|-----------|---------------------------|
| Metal sleeves | Brass, nickel-plated | 100 piece | For shielded front panels |

**Note:**

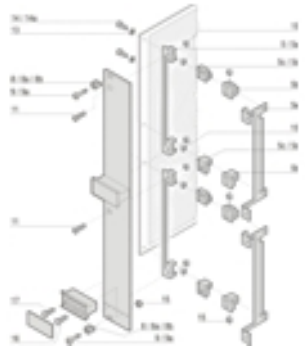
- Metal sleeves must be pressed into the front panels
- Not for partial width front panel 2 HP



Front panel fixing



Item 8b, 3 U front panel mounting



Item 8b, 6 U front panel mounting

Product illustrations are exemplary illustrations and can deviate from supplied products.