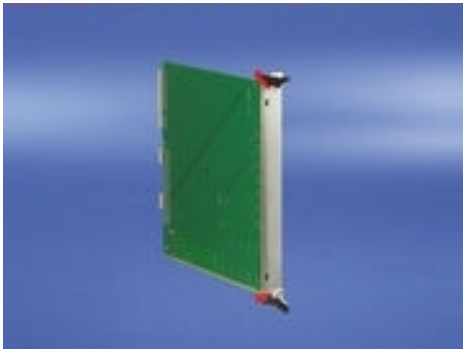
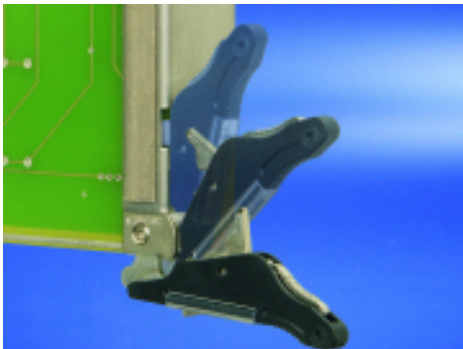


Plug-in unit kit for AdvancedTCA-IEA with die-cast end piece handles



(Delivery excludes board)



(AdvancedTCA spring-loaded IEA handle)

Part no.: 20818-161

Features:

- Schroff hot-swap handle (when open, the spring loading aids the complete opening of the handle and thus facilitates the insertion of the board)
- Front panel: Aluminum or stainless steel is reinforced by the diecast end piece (increases robustness of front panel)
- Versions for 2 microswitch types (plunger or lever contact)
- EMC textile gasket

Add to basket



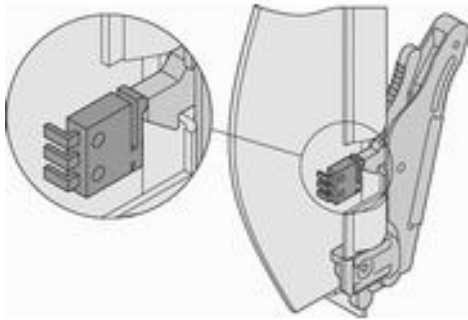
FRONT PANEL **RoHS**
EXPRESS COMPLIANT

Technical information:

Description	Height	Width
Stainless steel, with AdvancedTCA-IEA handle (lever type)	8 U	6 HP

Delivery comprises: (Kit)

Item	Qty	Description



Handle with lever contact
(lever style)

Product illustrations are exemplary illustrations and can deviate from supplied products.

1	1	Front panel
3	2	Die-cast end piece, alignment pin, M3 (20818-164) knurled screws
2	1	Bottom IEA handle incl. bearing, spring-loaded (pre-mounted with transportation lock)
4	1	Top IEA handle incl. bearing, spring-loaded (pre-mounted with transportation lock)
5	1	EMC sealing, length 299 mm
6	1	Assembly kit and user manual

Accessories:

Part no.	Description	
20818-140	AdvancedTCA handle (IEA) design element Plastic, transparent, to clip on, for customers' logos, UL 94 V-0, PU 10 pcs	Add to basket

Note:

- Front panels with copper-beryllium gasket (CuBe) available on request
- Front panels with board cover on request
- With its front panel service Schroff offers extensive modification options, including custom cut-outs, foils and screen printing, **www.frontpanelexpress.eu**
- Intuitive Ergonomic Aesthetic = IEA handle