

FFKDS/H1-5,08

Order No.: 1790335

<http://eshop.phoenixcontact.co.uk/phoenix/treeViewClick.do?UID=1790335>

PCB terminal block, Nominal current: 15 A, Nom. voltage: 320 V,
Pitch: 5.08 mm, Number of positions: 1, Connection method: Spring-
cage conn., Mounting: Soldering, Conductor/PCB connection direction:
0 °, Color: green, The article can be aligned to create different nos. of
positions!

Commercial data

| | |
|--------------------------|--|
| EAN |  4 017918 044244 |
| Pack | 50 |
| Customs tariff | 85369010 |
| Gross weight in pieces | 0.98 g |
| Country of Origin | DE |
| Catalog page information | Page 139 (CC-2011) |

Product notesWEEE/RoHS-compliant since:
01/01/2003

Please note that the data given here has been taken from the online catalog. For comprehensive information and data, please refer to the user documentation at <http://www.download.phoenixcontact.com>. The General Terms and Conditions of Use apply to Internet downloads.

Technical data**Dimensions / positions**

| | |
|---------------------|------------|
| Length | 13.6 mm |
| Pitch | 5.08 mm |
| Number of positions | 1 |
| Pin dimensions | 0,5 x 1 mm |

| | |
|---|---|
| Hole diameter | 1.3 mm |
| Technical data | |
| Range of articles | FFKDS(A)/H1 |
| Insulating material group | I |
| Rated surge voltage (III/3) | 4 kV |
| Rated surge voltage (III/2) | 4 kV |
| Rated surge voltage (II/2) | 4 kV |
| Rated voltage (III/3) | 250 V |
| Rated voltage (III/2) | 320 V |
| Rated voltage (II/2) | 630 V |
| Connection in acc. with standard | EN-VDE |
| Nominal current I_N | 15 A |
| Nominal cross section | 1.5 mm ² |
| Maximum load current | 15 A (with 1.5 mm ² conductor cross section) |
| Insulating material | PA |
| Inflammability class according to UL 94 | V0 |
| Stripping length | 10 mm |
| Nominal voltage, UL/CUL Use Group B | 300 V |
| Nominal current, UL/CUL Use Group B | 10 A |
| Nominal voltage, UL/CUL Use Group D | 300 V |
| Nominal current, UL/CUL Use Group D | 10 A |

| | |
|--|----------------------|
| Connection data | |
| Conductor cross section solid min. | 0.2 mm ² |
| Conductor cross section solid max. | 1.5 mm ² |
| Conductor cross section stranded min. | 0.2 mm ² |
| Conductor cross section stranded max. | 1.5 mm ² |
| Conductor cross section stranded, with ferrule without plastic sleeve min. | 0.25 mm ² |
| Conductor cross section stranded, with ferrule without plastic sleeve max. | 0.75 mm ² |
| Conductor cross section stranded, with ferrule with plastic sleeve min. | 0.25 mm ² |
| Conductor cross section stranded, with ferrule with plastic sleeve max. | 0.75 mm ² |
| Conductor cross section AWG/kcmil min. | 24 |
| Conductor cross section AWG/kcmil max | 16 |

| | |
|---------------------------------|----|
| Minimum AWG according to UL/CUL | 22 |
| Maximum AWG according to UL/CUL | 16 |

Certificates



Certification CSA, cULus Recognized, GOST, KEMA-KEUR, CCA, IECCE CB Scheme

Certifications applied for:

Certification Ex:

Accessories

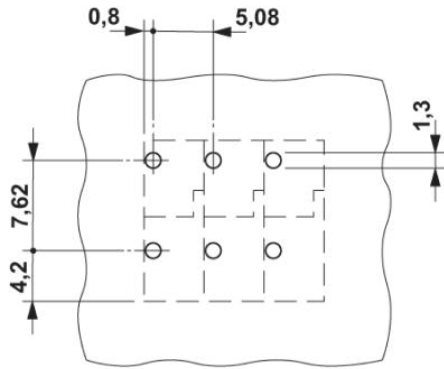
| Item | Designation | Description |
|----------------|--------------------------|--|
| Marking | | |
| 0804293 | SK 5,08/3,8:FORTL.ZAHLEN | Marker cards, Card, white, labeled, Horizontal: Consecutive numbers 1 - 10, 11 - 20, etc. up to 91 - (99)100, Mounting type: Adhesive, For terminal block width: 5.08 mm |

Additional products

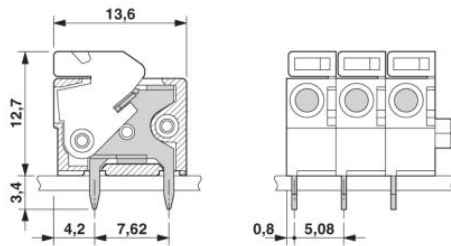
| Item | Designation | Description |
|----------------|-----------------|---|
| General | | |
| 1790513 | FFKDSA1/H1-7,62 | PCB terminal block, Nominal current: 17.5 A, Nom. voltage: 320 V, Pitch: 7.62 mm, Number of positions: 1, Connection method: Spring-cage conn., Mounting: Soldering, Conductor/PCB connection direction: 0 °, Color: green, The article can be aligned to create different nos. of positions! |

Drawings

Drilling plan/solder pad geometry



Dimensioned drawing



Address

PHOENIX CONTACT Ltd
Halesfield 13
Telford / Shropshire / TF7 4PG,England
Phone 01952 681 700
Fax 01952 681 799
<http://www.phoenixcontact.co.uk>



Phoenix Contact Ltd.
Technical modifications reserved;