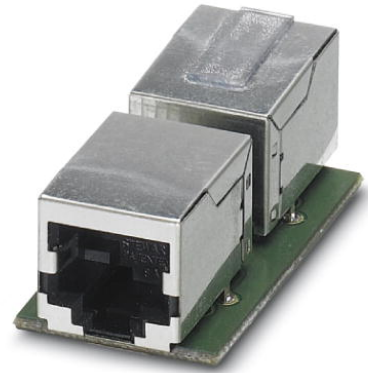


**VS-08-BU/BU-RJ45-F**


Order No.: 1405617

Freenet insert

<http://eshop.phoenixcontact.co.uk/phoenix/treeViewClick.do?UID=1405617>RJ45 female insert, for Freenet system, for VS-08 and panel mounting  
frame CAT5e, 8-pos., socket on socket

Ethernet

**Commercial data**

EAN	 4 046356 460057
Pack	1
Customs tariff	85366990
Gross weight in pieces	22.68 g
Country of Origin	DE
Catalog page information	Page 288 (PC-2011)

**Product notes**WEEE/RoHS-compliant since:  
15/10/2008

Please note that the data given here has been taken from the online catalog. For comprehensive information and data, please refer to the user documentation at <http://www.download.phoenixcontact.com>. The General Terms and Conditions of Use apply to Internet downloads.

**Technical data****Mechanical characteristics**

Number of positions	8
Number of slots	2
Insertion/withdrawal cycles	>= 100

**Material data**

Degree of protection	IP20
----------------------	------

**Electrical characteristics**

Number of positions	8
Transmission characteristics (category)	CAT5 (IEC 11801:2002), CAT5e (TIA 568B:2001)

**Certificates**

Certification  
 Certifications applied for:  
 Certification Ex:

**Accessories**

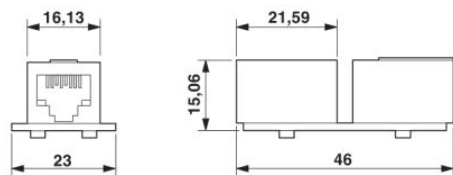
Item	Designation	Description
<b>General</b>		
1653744	VS-A-F-IP67	Panel mounting frame, IP67, for Freenet system, for round panel cutout, with grommet, without mounting screws, color: gray
1658668	VS-A-F-IP67-BK	Panel mounting frame, IP67, for Freenet system, for round panel cutout, with grommet, without mounting screws, color: black
1654581	VS-A-S-F-IP67	RJ45 panel mounting frame, IP67, irradiated for welding applications, for Freenet system, for round panel cutout, with grommet, without mounting screws
1608197	VS-PPC-F1-RJ45-POBK-1R-F	RJ45 panel mounting frame, IP67, for push-pull interlocking, plastic, with the Freenet system, for square panel cutout, with grommet, without mounting screws

**Panel mounting frame**

1405222	VS-PPC-F1-RJ45-MNNA-1C-F	RJ45 panel mounting frame, IP67, for push-pull interlocking, metal, with Freenet system, for round mounting cutout, with seal
1405358	VS-PPC-F1-RJ45-MNNA-1R-F	RJ45 panel mounting frame, IP67, for push-pull interlocking, metal, with the Freenet system, for square panel cutout, with grommet, without mounting screws

**Drawings**

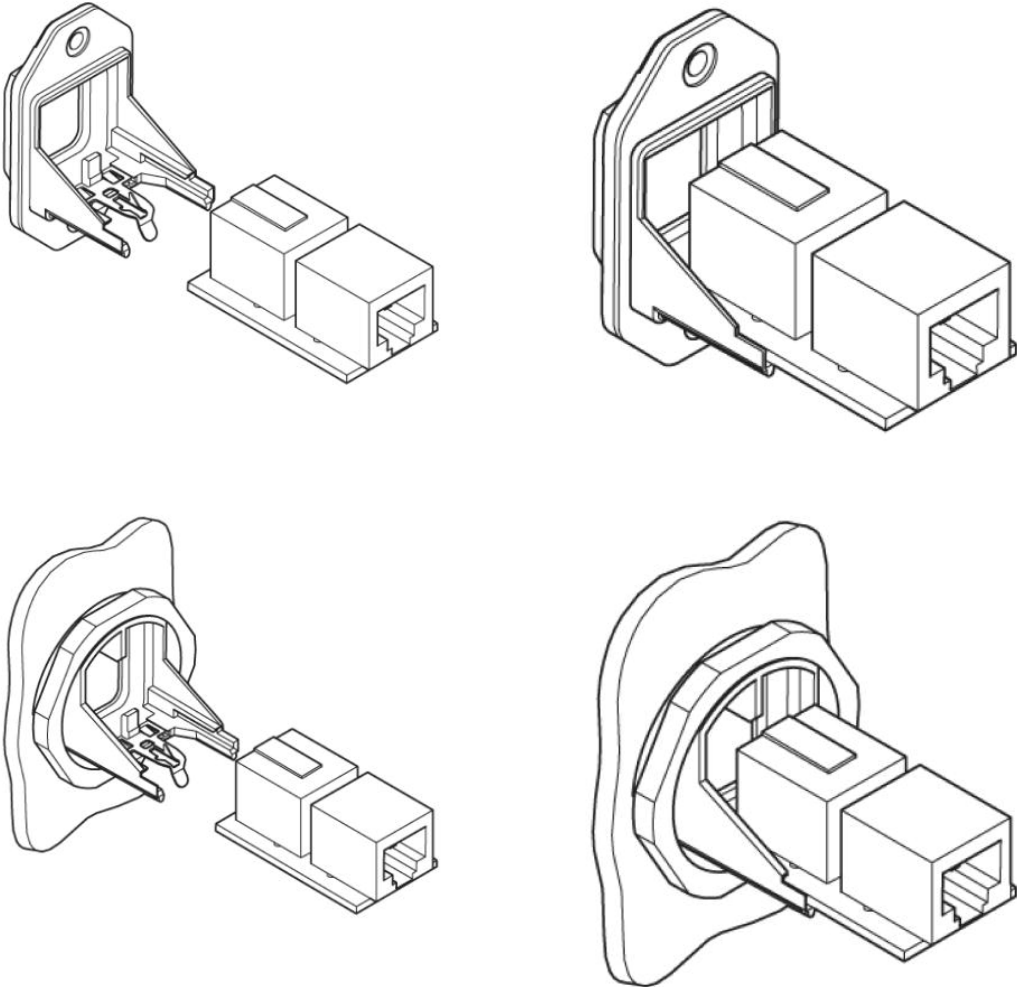
Dimensioned drawing



RJ45 female insert, Freenet system

Schematic diagram

---



**Address**

PHOENIX CONTACT Ltd  
Halesfield 13  
Telford / Shropshire / TF7 4PG,England  
Phone 01952 681 700  
Fax 01952 681 799  
<http://www.phoenixcontact.co.uk>



Phoenix Contact Ltd.  
Technical modifications reserved;