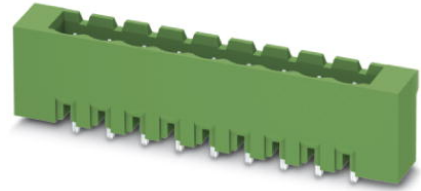



MSTBVA 2,5/16-G-5,08-LR

Order No.: 1809403

<http://eshop.phoenixcontact.co.uk/phoenix/treeViewClick.do?UID=1809403>

Header, Nominal current: 12 A, Rated voltage (III/2): 320 V, Number of positions: 16, Pitch: 5.08 mm, Color: green, Contact surface: Tin, Assembly: Soldering

Commercial data

| | |
|------------------------|--|
| EAN |  4 046356 703659 |
| Note | Made-to-order |
| Pack | 50 |
| Customs tariff | 85366990 |
| Gross weight in pieces | 7.76 g |
| Country of Origin | DE |

Product notes

WEEE/RoHS-compliant since:
23/09/2011



Please note that the data given here has been taken from the online catalog. For comprehensive information and data, please refer to the user documentation at <http://www.download.phoenixcontact.com>. The General Terms and Conditions of Use apply to Internet downloads.

Technical data**Dimensions / positions**

| | |
|---------------------|---------|
| Length | 8.6 mm |
| Height | 14.6 mm |
| Pitch | 5.08 mm |
| Dimension a | 76.2 mm |
| Number of positions | 16 |

| | |
|----------------|----------|
| Pin dimensions | 1 x 1 mm |
| Hole diameter | 1.4 mm |

Technical data

| | |
|---|--------------------|
| Range of articles | MSTBVA 2,5/..-G-LR |
| Insulating material group | IIIa |
| Rated surge voltage (III/3) | 4 kV |
| Rated surge voltage (III/2) | 4 kV |
| Rated surge voltage (II/2) | 4 kV |
| Rated voltage (III/2) | 320 V |
| Rated voltage (II/2) | 400 V |
| Connection in acc. with standard | EN-VDE |
| Nominal current I_N | 12 A |
| Nominal voltage U_N | 250 V |
| Maximum load current | 12 A |
| Insulating material | PBT |
| Inflammability class according to UL 94 | V0 |
| Color | green |
| Nominal voltage, UL/CUL Use Group B | 300 V |
| Nominal current, UL/CUL Use Group B | 15 A |
| Nominal voltage, UL/CUL Use Group D | 300 V |
| Nominal current, UL/CUL Use Group D | 15 A |

Certificates



Certification

cULus Recognized

Certifications applied for:

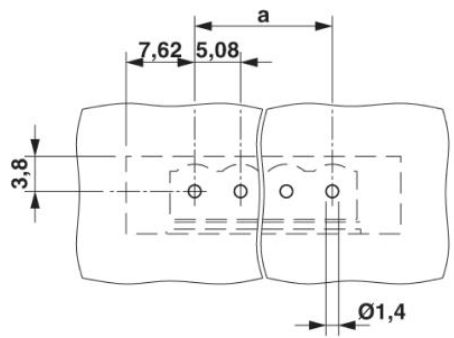
Certification Ex:

Accessories

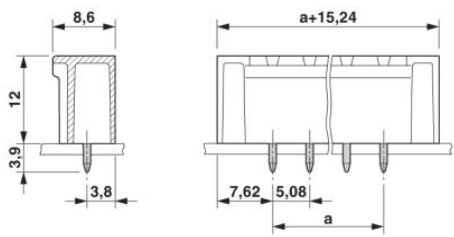
| Item | Designation | Description |
|---------------------|--------------------------|--|
| Assembly | | |
| 1755477 | MSTB-BL | Keying cap, for forming sections, plugs onto header pin, green insulating material |
| Marking | | |
| 0804293 | SK 5,08/3,8:FORTL.ZAHLEN | Marker cards, Card, white, labeled, Horizontal: Consecutive numbers 1 - 10, 11 - 20, etc. up to 91 - (99)100, Mounting type: Adhesive, For terminal block width: 5.08 mm |
| Plug/Adapter | | |
| 1734401 | CR-MSTB | Coding section, inserted into the recess in the header or the inverted plug, red insulating material |

Drawings

Drilling plan/solder pad geometry



Dimensioned drawing



Address

PHOENIX CONTACT Ltd
Halesfield 13
Telford / Shropshire / TF7 4PG,England
Phone 01952 681 700
Fax 01952 681 799
<http://www.phoenixcontact.co.uk>



Phoenix Contact Ltd.
Technical modifications reserved;