
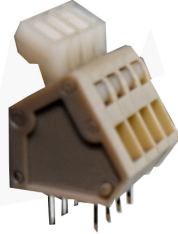


PCB TERMINAL BLOCKS

2.5mm Pitch Screwless Terminal Block

- Interlocking modules
- 45° degree cable entry
- Lever actuator cable release
- Moulded in UL94-V0 flame retardant PA66
- 0.2-0.5mm² (28-20AWG) solid cable
-  Approved

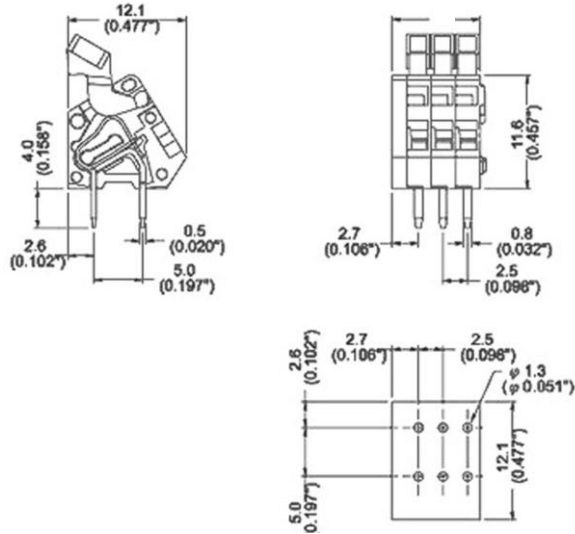
CSTBA45VC




SPECIFICATION

Rating	4A/130V
	UL=4A/150V, VDE=6A/130V
Operating temperature	-40°C to 105°C
Spring	Stainless strip steel
Pin Terminal	Brass/Tin Plated
PCB Hole Diameter	Ø1.3mm

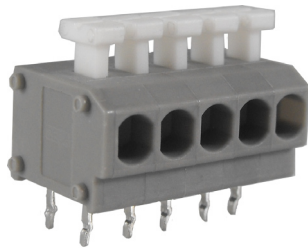
TYPE NO.	LENGTH	TYPE NO.	LENGTH
CSTBA45VC/2	6.5mm	CSTBA45VC/14	36.5mm
CSTBA45VC/3	9.0mm	CSTBA45VC/15	39.0mm
CSTBA45VC/4	11.5mm	CSTBA45VC/16	41.5mm
CSTBA45VC/5	14.0mm	CSTBA45VC/17	44.0mm
CSTBA45VC/6	16.5mm	CSTBA45VC/18	46.5mm
CSTBA45VC/7	19.0mm	CSTBA45VC/19	49.0mm
CSTBA45VC/8	21.5mm	CSTBA45VC/20	51.5mm
CSTBA45VC/9	24.0mm	CSTBA45VC/21	54.0mm
CSTBA45VC/10	26.0mm	CSTBA45VC/22	56.5mm
CSTBA45VC/11	29.0mm	CSTBA45VC/23	59.0mm
CSTBA45VC/12	31.5mm	CSTBA45VC/24	61.5mm
CSTBA45VC/13	34.0mm		



3.81mm Pitch Screwless Vertical Terminal Block

- Interlockable screwless terminal blocks supplied in 2 to 24-pole blocks
- Horizontal wire entry
- Kinked PCB pins for improved board retention
- Accepts 20-16AWG solid and stranded cable
-  approved

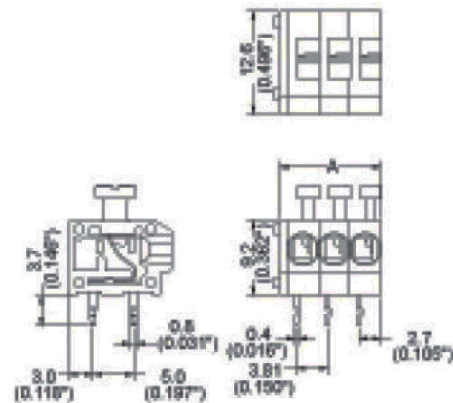
CSTBAE



SPECIFICATION

Rating	10A/300V
Dielectric strength	≥ 2.5kV
Working temperature	-40°C to +105°C
Moulding	Grey UL 94 V0 flame retardant PA
Pin/contact	Tinned nickel plated, brass
Recommended PCB hole	Ø1.2mm

TYPE NO.	POLES	LENGTH	TYPE NO.	POLES	LENGTH
CSTBAE/2	2	8.5mm	CSTBAE/14	14	54.2mm
CSTBAE/3	3	12.3mm	CSTBAE/15	15	58mm
CSTBAE/4	4	16.1mm	CSTBAE/16	16	61.8mm
CSTBAE/5	5	19.9mm	CSTBAE/17	17	65.6mm
CSTBAE/6	6	23.7mm	CSTBAE/18	18	69.4mm
CSTBAE/7	7	27.5mm	CSTBAE/19	19	73.2mm
CSTBAE/8	8	31.3mm	CSTBAE/20	20	77.1mm
CSTBAE/9	9	35.1mm	CSTBAE/21	21	80.9mm
CSTBAE/10	10	39mm	CSTBAE/22	22	84.7mm
CSTBAE/11	11	42.8mm	CSTBAE/23	23	88.5mm
CSTBAE/12	12	46.6mm	CSTBAE/24	24	92.3mm
CSTBAE/13	13	50.4mm			



PCB
TERMINAL
BLOCKS

INTER-
CONNECTION

FUSES &
FUSE-
HOLDERS

LEDs &
INDICATORS

MINIATURE
SWITCHES

LIMIT &
SAFETY
SWITCHES

CONTROL
PRODUCTS

INTERFACE
MODULES &
SUPPORTS

RELAY
BASES

ENCLOSURES

BATTERIES

TRANS-
FORMERS