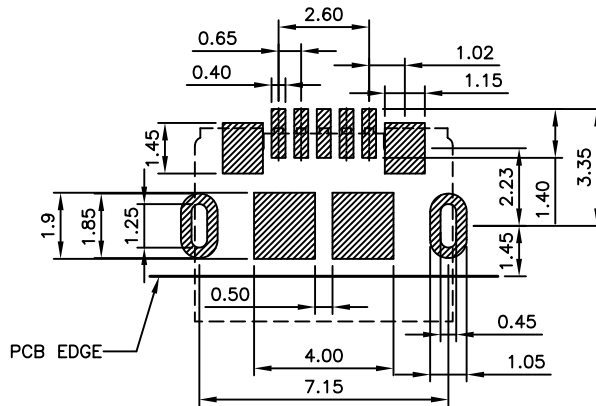
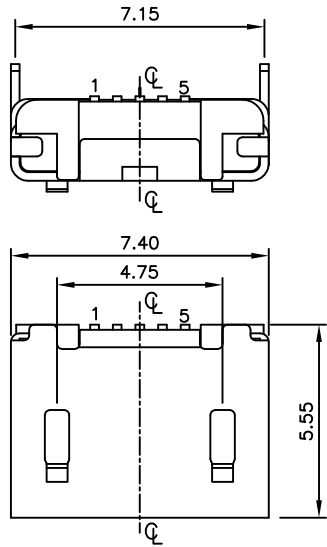
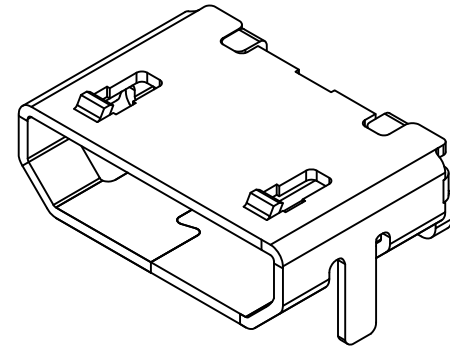
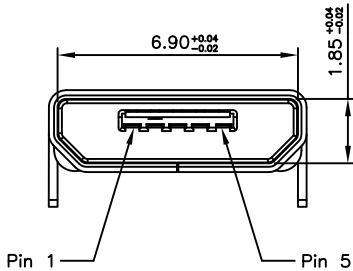
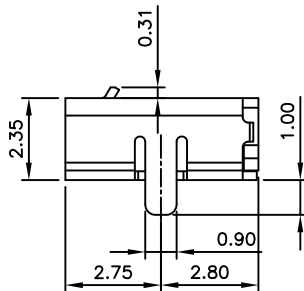


Designed to comply with physical, electrical and environmental requirements of Micro USB Standard (USB2.0).



RECOMMENDED P.C.B LAYOUT
 GENERAL TOLERANCE: ± 0.05
 AS VIEWED FROM COMPONENT SIDE
 [Hatched Area] Solder Area
 [Dashed Line] Component Outline



Specifications 规格:

Materials 材料:

Plastic Housing 塑胶外壳: LCP, UL94V-0, Black, LCP, UL94V-0 黑色
 Contact Terminal 接触端子: Copper Alloy 铜合金
 Metallic Shell 金属外壳: Stainless Steel 不锈钢 SUS 304 T = 0.25mm **B**

Plating 电镀:

Underplating 底层电镀: 50 μ " Nickel, 50 μ " 镍
 Finish 表面处理: Contact Area 接触面积: 30 μ " Gold plating, 30 μ " 镀金
 Solder Tails 焊接末端: Gold Flash 镀金
 Metallic Shell 金属外壳: Matte Tin 雾锡

Electrical 电气规格:

Voltage Rating 电压额定值: 100 V AC
 Current Rating 电流额定值: Signal (Pins 2,3,4) 信号: 1.0 A.
 Power (Pins 1,5) 电源: 1.8A.
 Operating Temperature 工作温度: -30°C to +85°C **B**
 Contact Resistance 接触电阻值: 30m Ω Max.
 Insulating Resistance 绝缘电阻值: 1000M Ω Min.
 Dielectric Withstand Voltage 耐电压: 500V AC/Minute **B**

Mechanical 机械性规格:

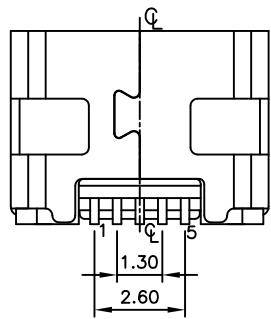
Mating Force 插入力: 35N Max.
 Unmating Force 拔出力: 10N Min. **B**
 Durability 耐久性: 10,000 Cycles 次插拔

Ordering Grid

USB3076 - 30 - A **REQUEST SAMPLES AND QUOTATION**

Contact Plating
 30 = 30 μ " Gold

Packing Options
 A = Tape & Reel
 (1.5K per Reel)



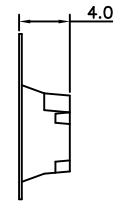
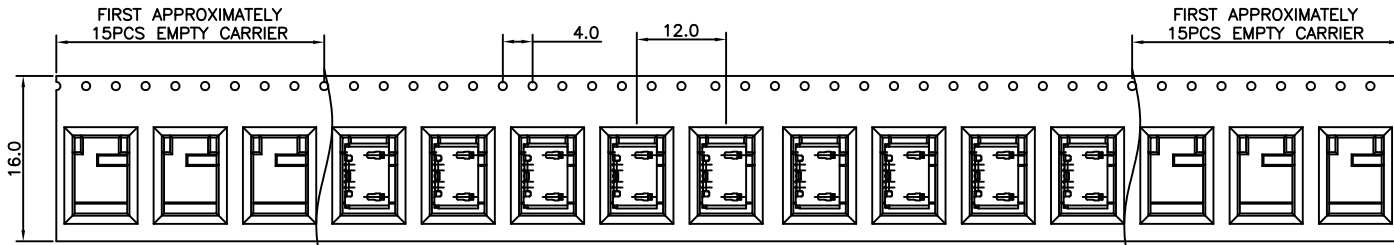
By	ASE	AJO	AJO
DETAIL	DRAWING RELEASE	SPECIFICATION CHANGES	PACKING CHANGE
REV	A	B	C
DATE	26/08/11	06/07/12	17/09/12



Tolerances (Except as noted)		Part Number:-	Date:-
Dimensions in mm		USB3076	26 AUG 11
X.X \pm 0.30	X.X* \pm 2°	Description:-	
X.XX \pm 0.20	X.XX* \pm 1°	μ USB RECEPTACLE, TYPE B, SMT, HORIZONTAL, BOTTOM MOUNT, NO PEG, WITH SHELL STAKES	
X.XXX \pm 0.10	X.XXX* \pm 0.5°	THIS DRAWING IS CONFIDENTIAL AND MUST NOT BE COPIED OR DISCLOSED WITHOUT WRITTEN CONSENT	
Third Angle Projection		Scale	Revision
		NTS	C
		Material	Drawn by
		See Note	ASE
		E & OE	Sheet No.
			1/2

GCT

www.globalconnectortechology.com



Products P/N	PCS/Reel	Reels/Carton	PCS/Carton
USB3076-30-A	1500	4	6000

I/O Direction
卷盤繞逆時針方向轉動

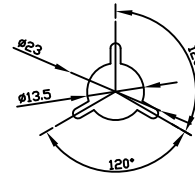
Cover Tape
蓋帶

Peel of Angle
剝皮角度

10°

Carrier Tape
載帶

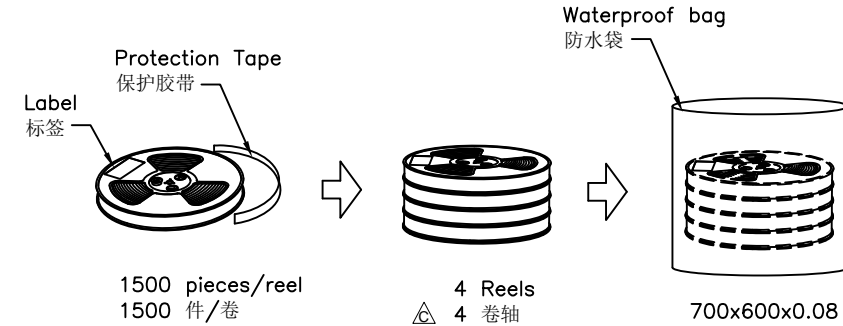
Reel 卷筒



Detail F

Notes注意:

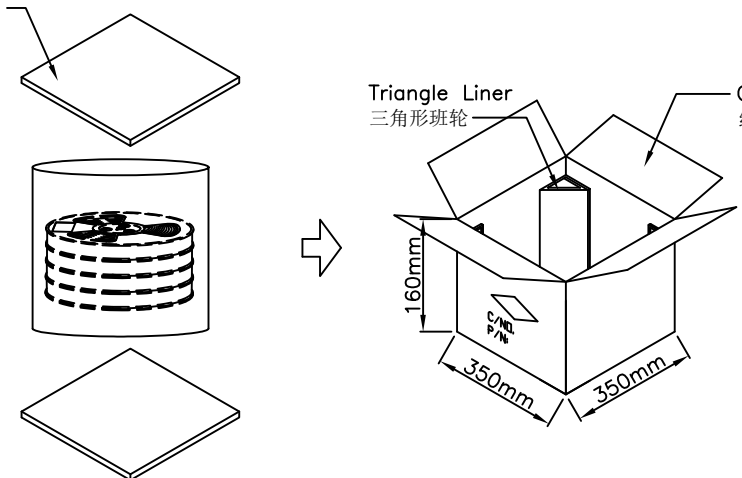
1. Peeling off force of top tape: 0.1-1.3N
2. Part Conforms to EIA-481-C Standards 产品符合EIA-481-C标准
3. All dimensions in millimeters 所有尺寸均是毫米
4. 10 sprocket hole pitch cumulative tolerance ± 0.2 mm



Cardboard
纸板

Triangle Liner
三角形班轮

Carton
纸箱



By	ASE	AJO	AJO
DETAIL	DRAWING RELEASE	SPECIFICATION CHANGES	PACKING CHANGE
REV	A	B	C
DATE	26/08/11	06/07/12	17/09/12



Tolerances (Except as noted)	Part Number:- USB3076	Date:- 26 AUG 11
Dimensions in mm	Description:- μ USB RECEPTACLE, TYPE B, SMT, HORIZONTAL, BOTTOM MOUNT, NO PEG, WITH SHELL STAKES	
Third Angle Projection	THIS DRAWING IS CONFIDENTIAL AND MUST NOT BE COPIED OR DISCLOSED WITHOUT WRITTEN CONSENT	

GCT

www.globalconnectortechology.com

Scale NTS	Revision C	Material See Note	Drawn by ASE	Sheet No. 2/2
--------------	---------------	----------------------	-----------------	------------------