

BNC Plug Elbow, 50R

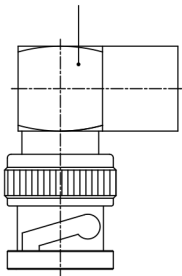


Specifications:

Connector Type	: BNC Coaxial
Body Style	: Right Angle Plug
Coaxial Termination	: Clamp
Impedance	: 50Ω
Coaxial Cable Types	: RG58
Contact Plating	: Gold
Frequency Max	: 11GHz
Connector Mounting	: Cable
Body Plating	: Nickel
Cable Diameter Max	: 5mm
Contact Resistance	: 1.5mΩ
DC Current Max	: 1A
Material	: Brass with Silicone Gaskets
Mounting Orientation	: Elbow
Operating Temperature	: -65°C to +165°C
Proof Voltage	: 2kV
VSWR	: 1.35
Working Voltage	: 500V

Cable Instruction

Connector Body



Braid Clamp



Washer



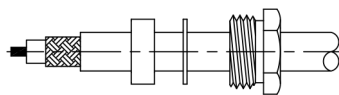
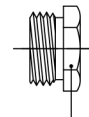
Cap



Gasket



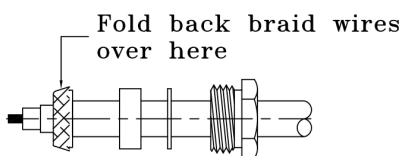
Nut



Preparation of Cable

Slide coupling nut onto cable

Strip cable to recommended dimensions shown in catalogue

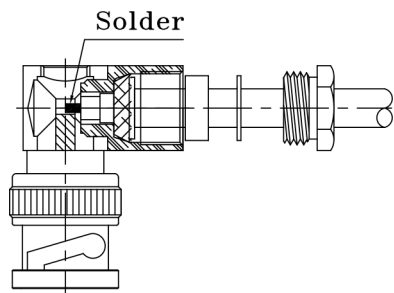


Installing Braid Clamp

Slide braid clamp until seat against cable jacket

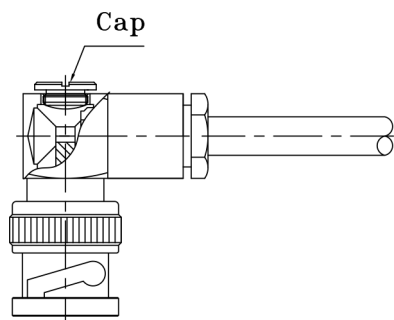
Fold back braid wires to cover on outside of braid clamp

BNC Plug Elbow, 50R



Soldering Centre Contact to Cable Centre Conductor

Insert cable into rear of connector body
Position cable centre conductor in centre contact slot
Solder centre contact to cable centre conductor



Final Assembly

Screw and tighten on nut
Screw and tighten cap into opening in rear of connector body

Part Number Table

Description	Part Number
Plug, BNC, Elbow, 50R	13-06F-4 58U

Important Notice : This data sheet and its contents (the "Information") belong to the members of the Premier Farnell group of companies (the "Group") or are licensed to it. No licence is granted for the use of it other than for information purposes in connection with the products to which it relates. No licence of any intellectual property rights is granted. The Information is subject to change without notice and replaces all data sheets previously supplied. The Information supplied is believed to be accurate but the Group assumes no responsibility for its accuracy or completeness, any error in or omission from it or for any use made of it. Users of this data sheet should check for themselves the Information and the suitability of the products for their purpose and not make any assumptions based on information included or omitted. Liability for loss or damage resulting from any reliance on the Information or use of it (including liability resulting from negligence or where the Group was aware of the possibility of such loss or damage arising) is excluded. This will not operate to limit or restrict the Group's liability for death or personal injury resulting from its negligence. Multicom is the registered trademark of the Group. © Premier Farnell plc 2012.

