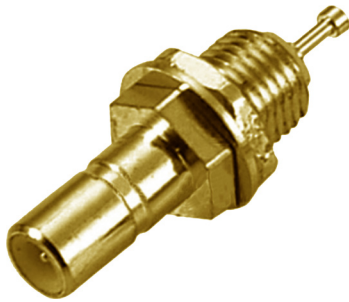


Bulkhead Straight Jack



Specifications:

Electrical:

Frequency Range	: DC-4GHz
Nominal Impedance	: 50Ω
Maximum Working Voltage	: 250V
Proof Voltage	: 500V
Maximum VSWR	: 1.3

Materials:

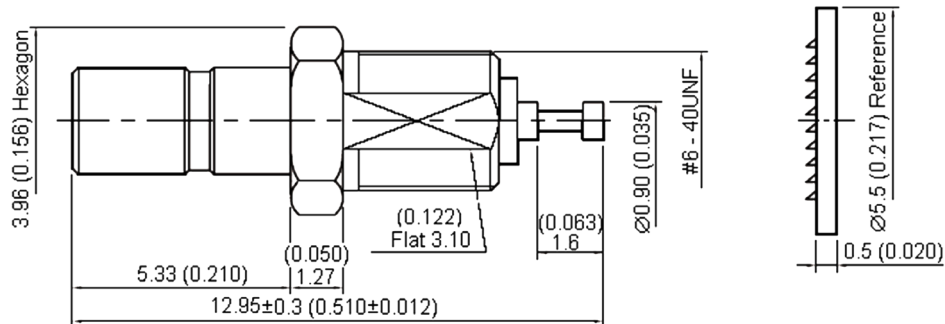
Bodies	: Brass per JIS-C3604
Centre Contact	: Brass per JIS-C3604
Insulation	: PTFE per ASTM D1457 and ASTM D1710

Mechanical:

Interface in accordance with MIL-STD-348A

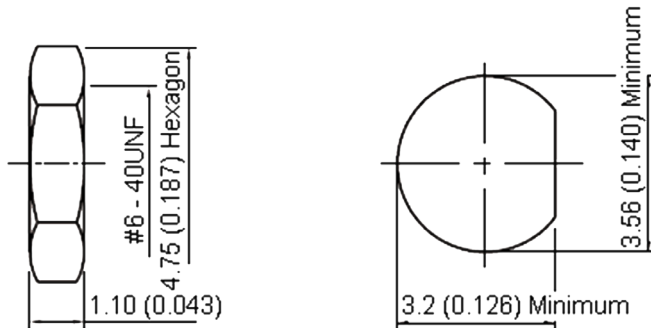
Environmental:

Operating Temperature Range : -65°C to +165°C



Dimensions : Millimetres (Inches)

Bulkhead Straight Jack



Mounting Hole

Dimensions : Millimetres (Inches)

Number	Description	Material	Finish
1	Body	Brass	Gold 3μ" Min.
2	Insulation	PTFE	None
3	Centre Contact	Brass	Gold 30μ" Min.
4	Lock Washer		Gold
5	Nut		

Part Number Table

Description	Part Number
Jack, Bulkhead, Straight, SSMB	46-09-1-TGG

Important Notice : This data sheet and its contents (the "Information") belong to the members of the Premier Farnell group of companies (the "Group") or are licensed to it. No licence is granted for the use of it other than for information purposes in connection with the products to which it relates. No licence of any intellectual property rights is granted. The Information is subject to change without notice and replaces all data sheets previously supplied. The Information supplied is believed to be accurate but the Group assumes no responsibility for its accuracy or completeness, any error in or omission from it or for any use made of it. Users of this data sheet should check for themselves the Information and the suitability of the products for their purpose and not make any assumptions based on information included or omitted. Liability for loss or damage resulting from any reliance on the Information or use of it (including liability resulting from negligence or where the Group was aware of the possibility of such loss or damage arising) is excluded. This will not operate to limit or restrict the Group's liability for death or personal injury resulting from its negligence. Multicomp is the registered trademark of the Group. © Premier Farnell plc 2012.

www.element14.com
 www.farnell.com
 www.newark.com

