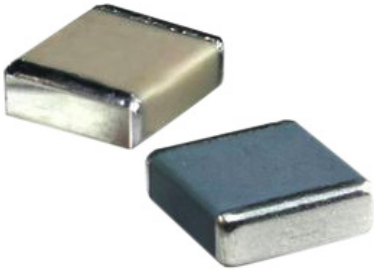


Multilayer Ceramic Chip Capacitor

**RoHS
Compliant**

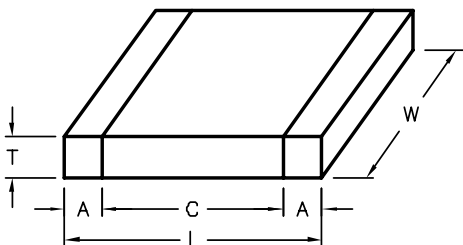


Specifications:

Capacitance	: 560pF
Capacitance Tolerance	: ± 5%
Dielectric Characteristic	: C0G / NPO
Voltage Rating	: 50V
Capacitor Case Style	: 1206 [3216 Metric]
Capacitor Terminals	: SMD
No. of Pins	: 2

Electrical Characteristics:

Characterizes	Requirement	Test Conditions
Operating Temperature Range	-55°C to +125°C	-
Temperature Coefficient (TC)	C < 10pF, ±150ppm/°C C = 10pF, ±30ppm/°C	With respect to 25°C with operating temperature range
Dissipative Factor (Tan δ)	C < 10pF Tan (δ) = 10(3/C + 0.7) × 10E - 4 or 30 × 10E - 4 whichever is less C = 10pF Tan (δ) = 10 × 10E - 4	With respect to 25°C C = 1,000pF, 1V _{RMS} / 1MHz C > 1,000pF, 1V _{RMS} / 1MHz
Insulation Resistance (IR)	R _{ins} > 100GΩ or R _{ins} × C = 1,000S whichever is less	V _R (Rated Voltage) = 500V at V _R for 1 min. V _R (Rated Voltage) = 500V at 500V for 1 min.
Dielectric Withstanding Voltage	No Breakdown	V _R (Rated Voltage) = 100V at 2.5V _R for 5 sec. V _R (Rated Voltage) = 200V / 250V at 1.5V _R + 100V for 5 sec. V _R (Rated Voltage) = 500V at 1.5V _R for 5 sec

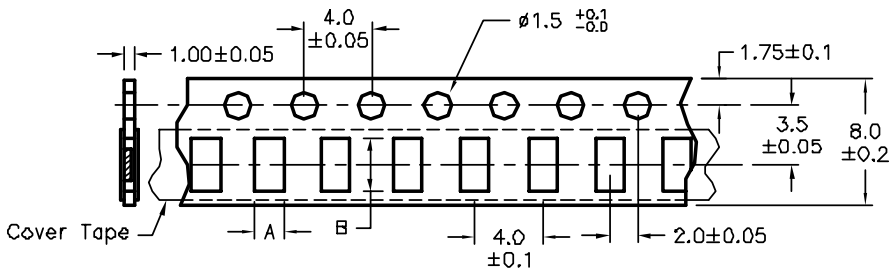


Dimensions				
L	W	T (Max.)	C	A
3.2 ±0.2	1.6 ±0.2	1.27	1.4	0.25 to 0.75

Dimensions : Millimetres

Multilayer Ceramic Chip Capacitor

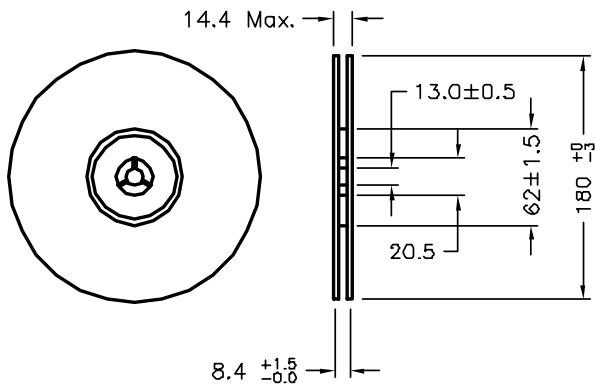
Packaging : Paper Tape



Paper Tape Dimensions	
A	B
2 ± 0.1	3.5 ± 0.1

Dimensions : Millimetres

Reel



Dimensions : Millimetres

Part Number Table

Description	Part Number
Multilayer Ceramic Chip Capacitor	MCS1206N561J1HRN-P4-RH

Important Notice : This data sheet and its contents (the "Information") belong to the members of the Premier Farnell group of companies (the "Group") or are licensed to it. No licence is granted for the use of it other than for information purposes in connection with the products to which it relates. No licence of any intellectual property rights is granted. The Information is subject to change without notice and replaces all data sheets previously supplied. The Information supplied is believed to be accurate but the Group assumes no responsibility for its accuracy or completeness, any error in or omission from it or for any use made of it. Users of this data sheet should check for themselves the Information and the suitability of the products for their purpose and not make any assumptions based on information included or omitted. Liability for loss or damage resulting from any reliance on the Information or use of it (including liability resulting from negligence or where the Group was aware of the possibility of such loss or damage arising) is excluded. This will not operate to limit or restrict the Group's liability for death or personal injury resulting from its negligence. Multicomp is the registered trademark of the Group. © Premier Farnell plc 2012.

www.element14.com
 www.farnell.com
 www.newark.com

