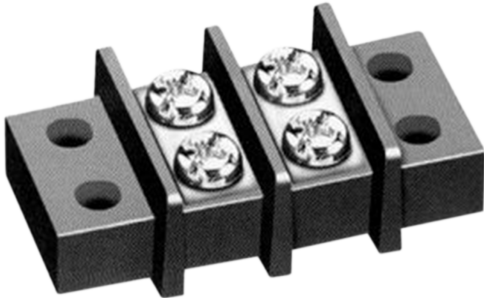


Terminal Block

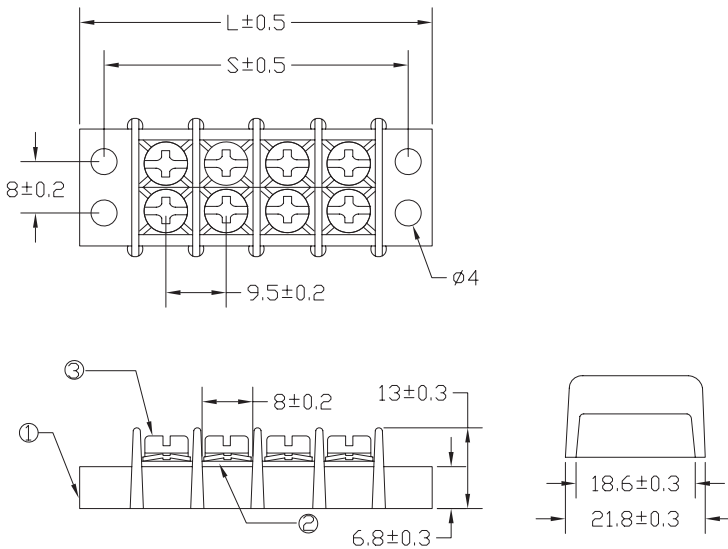


**RoHS
Compliant**



Specifications:

Current Rating	: 20A 300V AC
Insulation withstands Volt	: 200V AC Min.
Insulation Resistance	: >2,000MΩ 500V DC
Operating Temperature	: -40°C to +105°C
Wire Range	: 14AWG ~ 22AWG
Screw Torque	: 12 lb-inch
Pitch	: 9.5mm (0.374")



Dimensions : Millimetres

Part Number	Number of Poles	L	S
MC24309	2	36.2	28.7
MC24310	3	45.7	38.2
MC24311	4	55.2	47.7
MC24312	5	64.7	57.2
MC24313	6	74.2	66.7
MC24314	7	83.7	76.2
MC24315	8	93.2	85.7
MC24316	9	103	95.2
MC24317	10	112	105
MC24318	12	131	124
MC24319	14	150	143
MC24320	15	160	152
MC24321	16	169	162
MC24322	18	188	181
MC24323	20	207	200
MC24324	24	245	238
MC24325	25	255	247
MC24326	30	302	295

Dimensions : Millimetres

Item	Material	Plating/Finish
1	Insulating Body, PC	Black
2	Terminal, Brass	Tin Plated
3	Screw, Steel	Ni Plated



Part Number Table

Description	Part Number
Terminal Block	MC24309
	MC24310
	MC24311
	MC24312
	MC24313
	MC24314
	MC24315
	MC24316
	MC24317
	MC24318
	MC24319
	MC24320
	MC24321
	MC24322
	MC24323
	MC24324
	MC24325
MC24326	

Important Notice : This data sheet and its contents (the "Information") belong to the members of the Premier Farnell group of companies (the "Group") or are licensed to it. No licence is granted for the use of it other than for information purposes in connection with the products to which it relates. No licence of any intellectual property rights is granted. The Information is subject to change without notice and replaces all data sheets previously supplied. The Information supplied is believed to be accurate but the Group assumes no responsibility for its accuracy or completeness, any error in or omission from it or for any use made of it. Users of this data sheet should check for themselves the Information and the suitability of the products for their purpose and not make any assumptions based on information included or omitted. Liability for loss or damage resulting from any reliance on the Information or use of it (including liability resulting from negligence or where the Group was aware of the possibility of such loss or damage arising) is excluded. This will not operate to limit or restrict the Group's liability for death or personal injury resulting from its negligence. Multicomp is the registered trademark of the Group. © Premier Farnell plc 2012.