

Appliance outlet

BTSC13L/1 series

Snap-in mounting from front

Solder terminal or quick connect from single terminal

Protection Class 1

Integral plug retention feature

Technical Data

Rated current/voltage 10A /250 VAC

Insulation resistance
10MΩ (500 VDC, 1 Min.)

Dielectric Strength: 2KV (50 Hz, 1 Min.) to accessible surfaces

Material: Socket – Thermoplastic, black, UL94V-0

Patent

UK No: 2463468B

EU No: EP2321879A

HK No: HK1141901

Chinese Patent Application No. CN 102150330 A

Other Worldwide Patents Pending



Standards

IEC/EN 60320-2-2/F

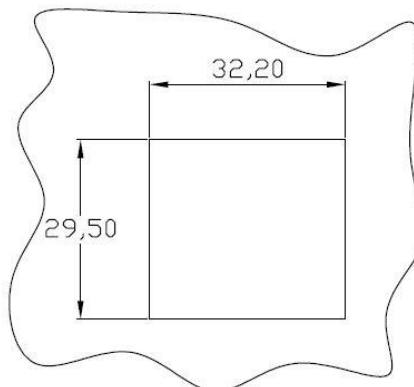
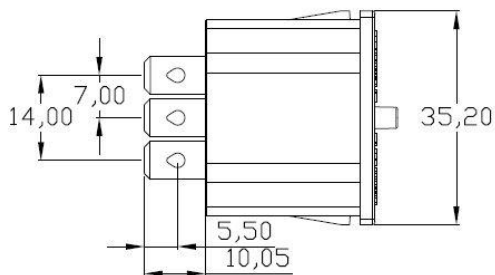
UL498, CSA C22.2 No 182.3-M1987

Approvals

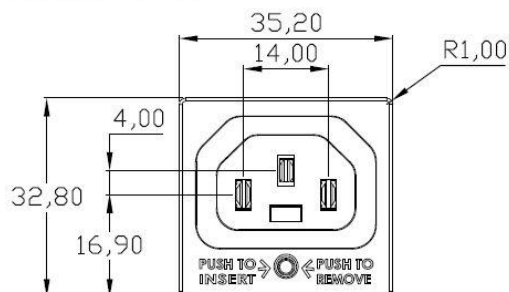
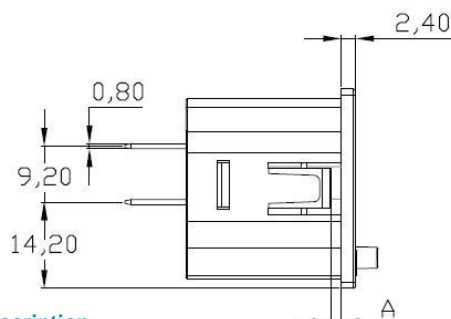
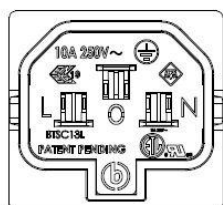
10 A/250VAC



15 A/250VAC



PANEL MOUNTING CUT-OUT



Part Ref

Part Ref	Description
BTSC13L/1B00A	Black IEC320 C13 Snap in 1.0mm Panel Thickness
BTSC13L/1B00B	Black IEC320 C13 Snap in 1.5mm Panel Thickness
BTSC13L/1W00A	White IEC320 C13 Snap in 1.0mm Panel Thickness
BTSC13L/1W00B	White IEC320 C13 Snap in 1.5mm Panel Thickness

*Other terminal types available upon request.

Terminal Type

Quick Connect/Solder 6.3 x 0.8 mm
Quick Connect/Solder 6.3 x 0.8 mm
Quick Connect/Solder 6.3 x 0.8 mm
Quick Connect/Solder 6.3 x 0.8 mm