

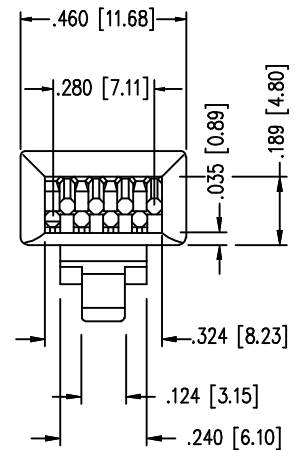
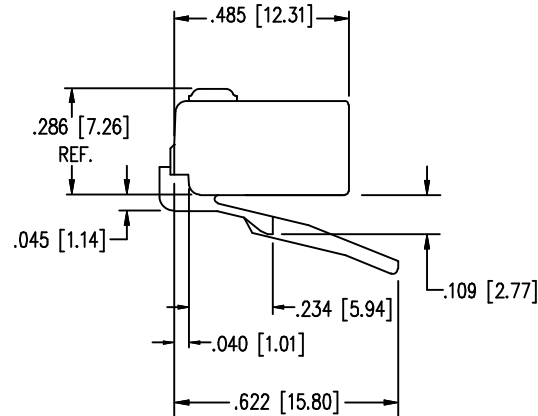
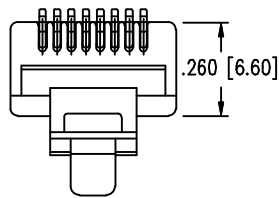
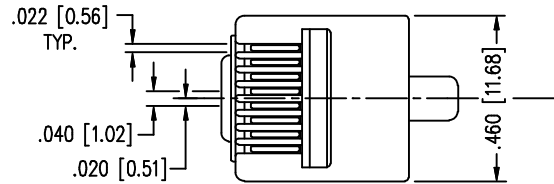
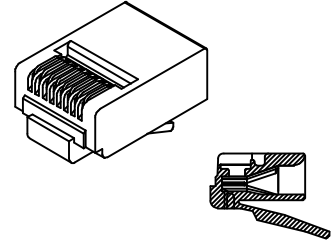
Sentinel Connector Systems Inc.

1953 Stanton Street

York, Pa. 17404

PART NO.: 112-080800-34

- * EIGHT CONDUCTOR MODULAR PLUG (SHORT BODY)
- * FOR HIGH SPEED APPLICATION
- * FOR CONDUCTORS WITH AN O.D. RANGE OF .037/.042
- * USES .012 CONTACT



PERFORMANCE:

SPECIFICATIONS :

EXCEEDS CATEGORY 5 EIA/TIA 568-A, ANNEX B SPECIFICATION,
MEETS PROPOSED CATEGORY 6 VALUES FOR DE-EMBEDDED NEXT

CONTACT MATERIAL:

PHOSPHOR BRONZE - .012 THK

CONTACT PLATING:

50 MICRO-INCH : OTHER PLATING OPTIONS AVAILABLE
SELECTIVE 24 CARAT HARD GOLD PLATE IN CONTACT AREA
OVER 100 MICRO-INCH MINIMUM NICKEL PLATE
PER CURRENT SELECTIVE GOLD PLATING REQUIREMENTS.

PLUG MATERIAL:

POLYCARBONATE

**PLUG TOLERANCES
AND DIMENSIONS:**

COMPLIES WITH F.C.C REQUIREMENTS

FLAME AUTO EXTINGUISH

94-V0 - File# E188111

OPERATION TEMPERATURE:

-40°C TO +70°C

INSERTION/EXTRACTION LIFE:

1000 CYCLES

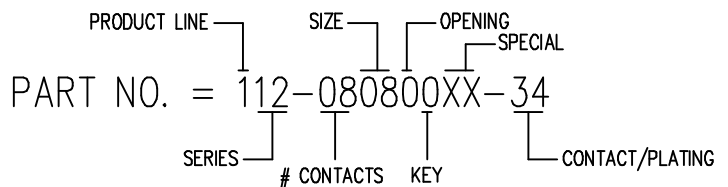
CONTACT RESISTANCE:

10 MILLOHMS MAX.

CURRENT/VOLTAGE:

30 VAC/42 VDC AT 1.5 AMPS

SD000100



PATENT APPLIED FOR

2/18/00 REV A0