

Up to PL e of EN ISO 13849-1 PNOZ X2.8P



Safety relay for monitoring E-STOP pushbuttons, safety gates and light beam devices

Approvals

PNOZ X2.8P	
	◆
	◆
	◆

Unit features

- ▶ Positive-guided relay outputs:
 - 3 safety contacts (N/O), instantaneous
 - 1 auxiliary contact (N/C), instantaneous
- ▶ Connection options for:
 - E-STOP pushbutton
 - Safety gate limit switch
 - Reset button
 - Light barriers
- ▶ LED indicator for:
 - Switch status channel 1/2
 - Supply voltage
- ▶ Plug-in connection terminals (either spring-loaded terminal or screw terminal)
- ▶ See order reference for unit types

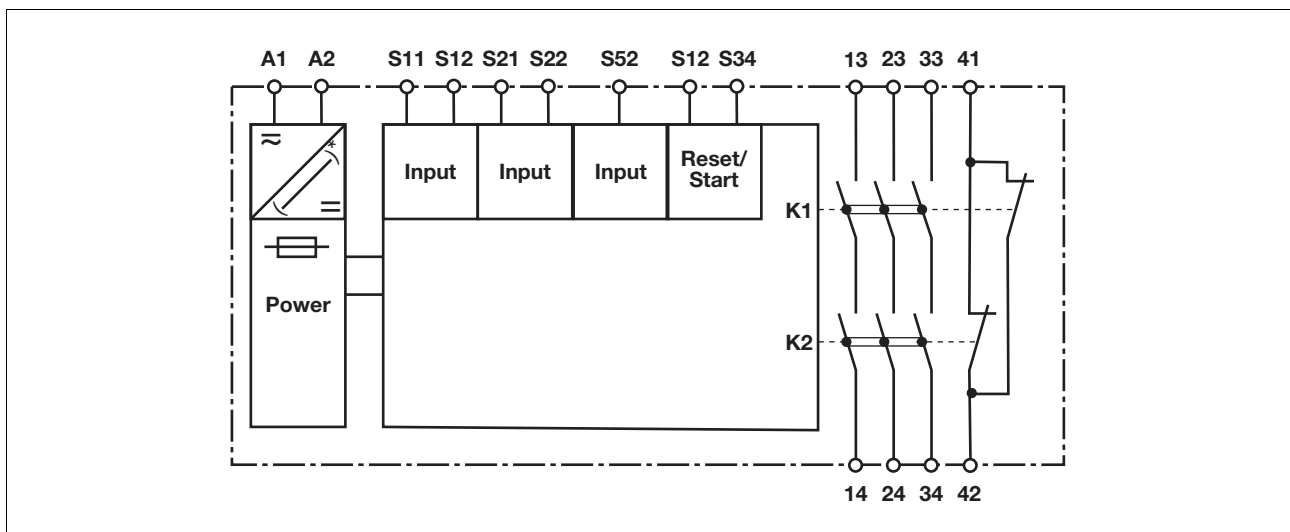
Safety features

- The relay meets the following safety requirements:
- ▶ The circuit is redundant with built-in self-monitoring.
 - ▶ The safety function remains effective in the case of a component failure.
 - ▶ The correct opening and closing of the safety function relays is tested automatically in each on-off cycle.

Unit description

- The safety relay meets the requirements of EN 60947-5-1, EN 60204-1 and VDE 0113-1 and may be used in applications with
- ▶ E-STOP pushbuttons
 - ▶ Safety gates
 - ▶ Light beam devices

Block diagram



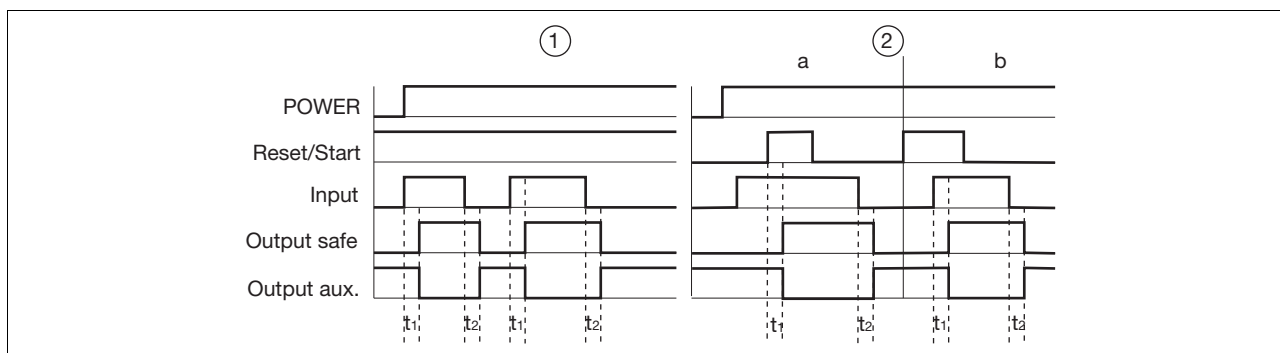
*only applicable for U_B 24 - 240 VAC/DC

Up to PL e of EN ISO 13849-1 PNOZ X2.8P

Function description

- ▶ Single-channel operation: no redundancy in the input circuit, earth faults in the reset and input circuit are detected.
- ▶ Dual-channel operation without detection of shorts across contacts: redundant input circuit, detects
 - earth faults in the reset and input circuit,
- short circuits in the input circuit and, with a monitored reset, in the reset circuit too.
- ▶ Dual-channel operation with detection of shorts across contacts: redundant input circuit, detects
 - earth faults in the reset and input circuit,
 - short circuits and shorts between contacts in the input circuit.
- ▶ Automatic start: Unit is active once the input circuit has been closed.
- ▶ Manual reset: Unit is active once the input circuit is closed and then the reset circuit is closed.
- ▶ Increase in the number of available instantaneous safety contacts by connecting contact expansion modules or external contactors.

Timing diagram



Key

- ▶ Power: Supply voltage
- ▶ Reset/start: Reset circuit S12-S34
- ▶ Input: Input circuits S11-S12, S21-S22, S52
- ▶ Output safe: Safety contacts 13-14, 23-24, 33-34,
- ▶ Output aux: Auxiliary contacts 41-42
- ▶ ①: Automatic reset
- ▶ ②: Manual reset
- ▶ a: Input circuit closes before reset circuit
- ▶ b: Reset circuit closes before input circuit
- ▶ t₁: Switch-on delay
- ▶ t₂: Delay-on de-energisation

Wiring

Please note:

- ▶ Information given in the “Technical details” must be followed.
- ▶ Outputs 13-14, 23-24, 33-34, are safety contacts, output 41-42 is an auxiliary contact (e.g. for display).
- ▶ To prevent contact welding, a fuse should be connected before the output contacts (see technical details).
- ▶ Calculation of the max. cable runs I_{max} in the input circuit:

$$I_{max} = \frac{R_{lmax}}{R_l / km}$$

R_{lmax} = max. overall cable resistance (see technical details)

R_l / km = cable resistance/km

- ▶ Use copper wire that can withstand 60/75 °C.

- ▶ Sufficient fuse protection must be provided on all output contacts with capacitive and inductive loads.

Up to PL e of EN ISO 13849-1 PNOZ X2.8P

Preparing for operation

► Supply voltage

Supply voltage	24 – 240 VAC/DC	24 VAC/DC

► Input circuit

Input circuit	Single-channel	Dual-channel
E-STOP without detection of shorts across contacts		
E-STOP with detection of shorts across contacts		
Safety gate without detection of shorts across contacts		
Safety gate with detection of shorts across contacts		
Light beam device with detection of shorts across contacts (not on units with a universal power supply)		

Up to PL e of EN ISO 13849-1 PNOZ X2.8P

▶ Reset circuit

Reset circuit	E-STOP wiring (single-channel) Safety gate (single-channel)	E-STOP wiring (dual-channel) Safety gate (dual-channel)
Automatic reset		
Manual reset		

▶ Feedback circuit

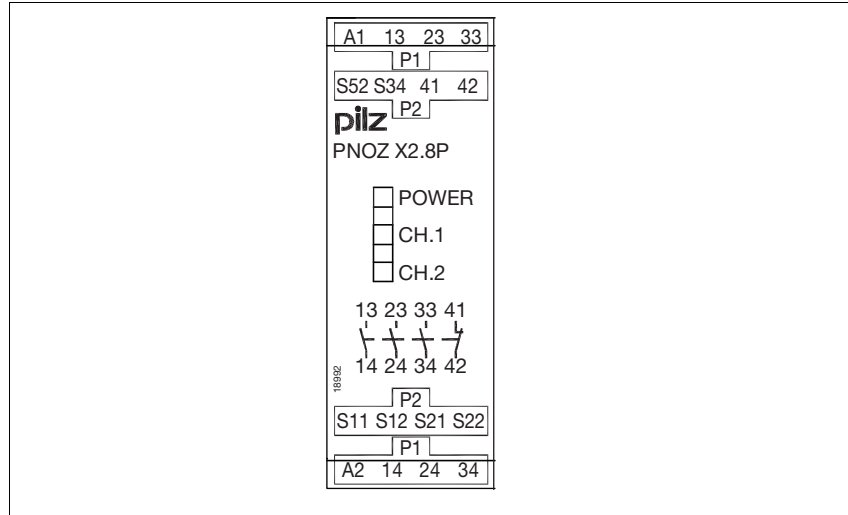
Feedback circuit	Automatic reset	Manual reset
Contacts from external contactors		

▶ Key

S1/S2	E-STOP/safety gate switch
S3	Reset button
	Switch operated
	Gate open
	Gate closed

Up to PL e of EN ISO 13849-1 PNOZ X2.8P

Terminal configuration

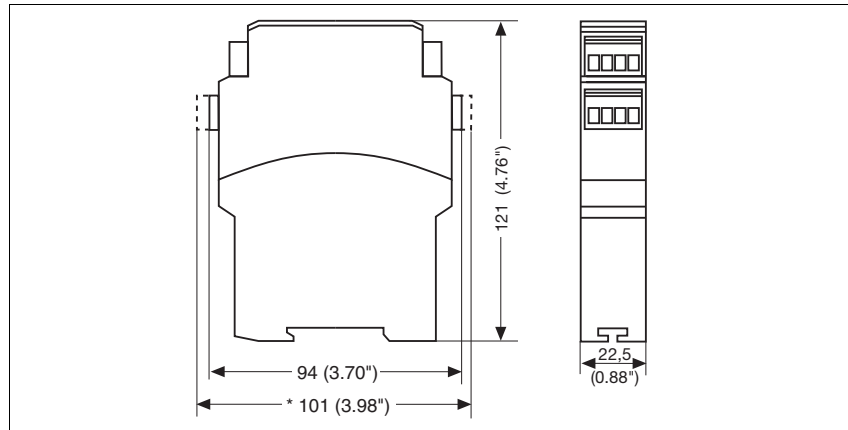


Installation

- ▶ The safety relay should be installed in a control cabinet with a protection type of at least IP54.
- ▶ Use the notch on the rear of the unit to attach it to a DIN rail.
- ▶ Ensure the unit is mounted securely on a vertical DIN rail (35 mm) by using a fixing element (e.g. retaining bracket or an end angle).

Dimensions

* with spring-loaded terminals



Up to PL e of EN ISO 13849-1 PNOZ X2.8P

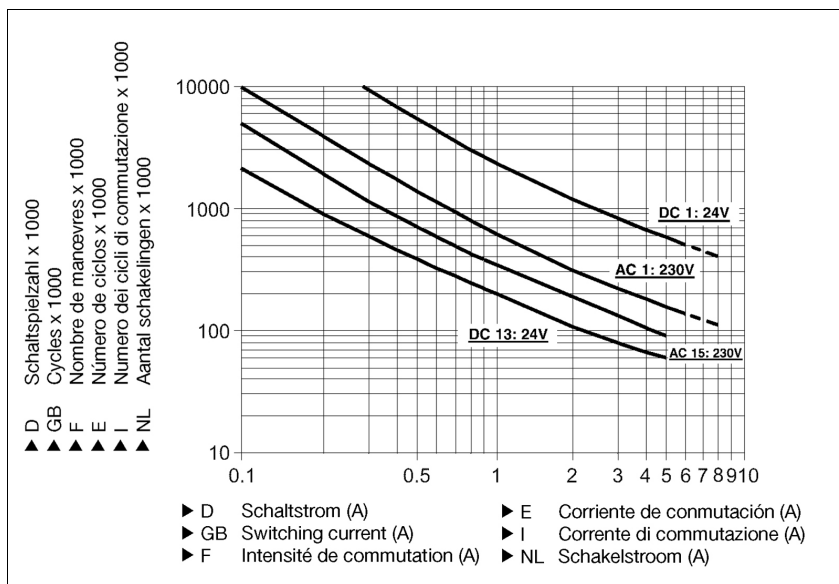
Notice

This data sheet is only intended for use during configuration. Please refer to the operating manual for installation and operation.

Service life graph

The service life graphs indicate the number of cycles from which failures due to wear must be expected. The wear is mainly caused by the electrical load; the mechanical load is negligible.

U_B 24 V AC/DC



Example

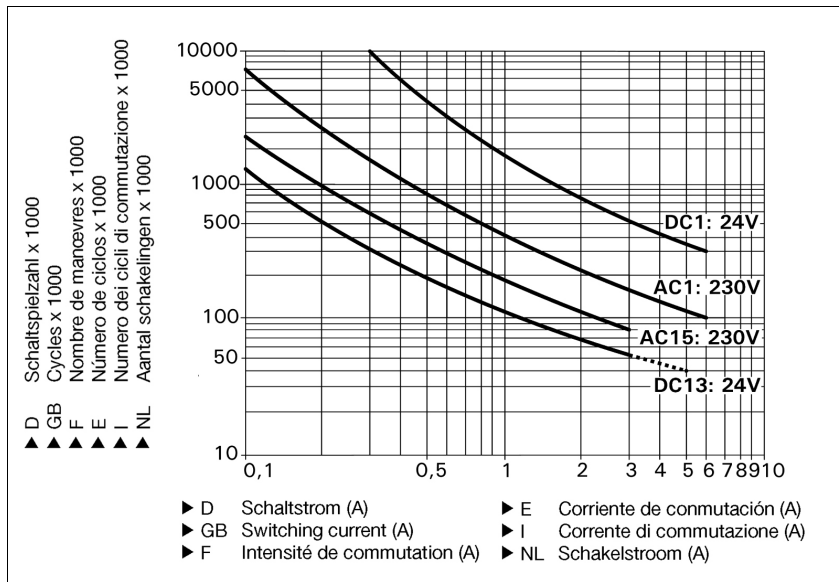
- ▶ Inductive load: 0,2 A
- ▶ Utilisation category: AC15
- ▶ Contact service life: 2,000,000 cycles

Provided the application requires fewer than 2,000,000 cycles, the PFH value (see technical details) can be used in the calculation.

To increase the service life, sufficient spark suppression must be provided on all output contacts. With capacitive loads, any power surges that occur must be noted. With contactors, use freewheel diodes for spark suppression.

Up to PL e of EN ISO 13849-1 PNOZ X2.8P

U_B 24 - 240 VAC/DC



Example

- ▶ Inductive load: 0,2 A
- ▶ Utilisation category: AC15
- ▶ Contact service life: 1,000,000 cycles

Provided the application requires fewer than 1,000,000 cycles, the PFH value (see technical details) can be used in the calculation.

To increase the service life, sufficient spark suppression must be provided on all output contacts. With capacitive loads, any power surges that occur must be noted. With contactors, use freewheel diodes for spark suppression.

Technical details

Electrical data

Supply voltage	
Supply voltage U _B AC/DC	24 - 240 V, 24 V
Voltage tolerance	-15 %/+10 %
Power consumption at U _B AC	4.5 VA No. 777302, 787302 5.5 VA No. 777301, 787301
Power consumption at U _B DC	2.0 W No. 777302, 787302 2.5 W No. 777301, 787301
Frequency range AC	50 - 60 Hz
Residual ripple DC	160 %
Voltage and current at	
Input circuit DC: 24.0 V	25.0 mA No. 777302, 787302 30.0 mA No. 777301, 787301
Reset circuit DC: 24.0 V	40.0 mA No. 777301, 787301 50.0 mA No. 777302, 787302
Feedback loop DC: 24.0 V	40.0 mA No. 777301, 787301 50.0 mA No. 777302, 787302
Number of output contacts	
Safety contacts (S) instantaneous:	3
Auxiliary contacts (N/C):	1

Up to PL e of EN ISO 13849-1 PNOZ X2.8P

Electrical data	
Utilisation category in accordance with EN 60947-4-1	
Safety contacts: AC1 at 240 V	I_{min} : 0.01 A , I_{max} : 6.0 A P_{max} : 1500 VA
Safety contacts: DC1 at 24 V	I_{min} : 0.01 A , I_{max} : 6.0 A P_{max} : 150 W
Auxiliary contacts: AC1 at 240 V	I_{min} : 0.01 A , I_{max} : 6.0 A P_{max} : 1500 VA
Auxiliary contacts: DC1 at 24 V	I_{min} : 0.01 A , I_{max} : 6.0 A P_{max} : 150 W
Utilisation category in accordance with EN 60947-5-1	
Safety contacts: AC15 at 230 V	I_{max} : 3.0 A No. 777302, 787302 5.0 A No. 777301, 787301
Safety contacts: DC13 at 24 V (6 cycles/min)	I_{max} : 4.0 A No. 777302, 787302 5.0 A No. 777301, 787301
Auxiliary contacts: AC15 at 230 V	I_{max} : 3.0 A No. 777302, 787302 5.0 A No. 777301, 787301
Auxiliary contacts: DC13 at 24 V (6 cycles/min)	I_{max} : 4.0 A No. 777302, 787302 5.0 A No. 777301, 787301
Contact material	AgCuNi + 0.2 µm Au
External contact fuse protection ($I_k = 1$ kA) to EN 60947-5-1	
Blow-out fuse, quick	
Safety contacts:	10 A No. 777301, 787301 6 A No. 777302, 787302
Auxiliary contacts:	10 A No. 777301, 787301 6 A No. 777302, 787302
Blow-out fuse, slow	
Safety contacts:	4 A No. 777302, 787302 6 A No. 777301, 787301
Auxiliary contacts:	4 A No. 777302, 787302 6 A No. 777301, 787301
Circuit breaker 24 VAC/DC, characteristic B/C	
Safety contacts:	4 A No. 777302, 787302 6 A No. 777301, 787301
Auxiliary contacts:	4 A No. 777302, 787302 6 A No. 777301, 787301
Max. overall cable resistance R_{lmax} input circuits, reset circuits	
single-channel at U_B DC	30 Ohm No. 777301, 787301 45 Ohm No. 777302, 787302
single-channel at U_B AC	100 Ohm No. 777301, 787301 45 Ohm No. 777302, 787302
dual-channel without detect. of shorts across contacts at U_B DC	50 Ohm No. 777301, 787301 80 Ohm No. 777302, 787302
dual-channel without detect. of shorts across contacts at U_B AC	100 Ohm No. 777301, 787301 80 Ohm No. 777302, 787302
dual-channel with detect. of shorts across contacts at U_B DC	15 Ohm
dual-channel with detect. of shorts across contacts at U_B AC	15 Ohm
Min. input resistance when switching on	209 Ohm No. 777302, 787302 88 Ohm No. 777301, 787301
Safety-related characteristic data	
PL in accordance with EN ISO 13849-1: 2006	PL e (Cat. 4)
Category in accordance with EN 954-1	Cat. 4
SIL CL in accordance with EN IEC 62061	SIL CL 3
PFH in accordance with EN IEC 62061	2.31E-09
SIL in accordance with IEC 61511	SIL 3
PFH in accordance with IEC 61511	2.03E-06
T_M [year] in accordance with EN ISO 13849-1: 2006	20

Up to PL e of EN ISO 13849-1 PNOZ X2.8P

Times	
Switch-on delay	
with automatic reset typ.	250 ms No. 777301, 787301 340 ms No. 777302, 787302
with automatic reset max.	400 ms No. 777302, 787302 450 ms No. 777301, 787301
with automatic reset after power on typ.	250 ms No. 777301, 787301 600 ms No. 777302, 787302
with automatic reset after power on max.	450 ms No. 777301, 787301 800 ms No. 777302, 787302
with manual reset typ.	125 ms No. 777301, 787301 180 ms No. 777302, 787302
with manual reset max.	400 ms No. 777302, 787302 450 ms No. 777301, 787301
Delay-on de-energisation	
with E-STOP typ.	10 ms No. 777302, 787302 15 ms No. 777301, 787301
with E-STOP max.	20 ms No. 777302, 787302 30 ms No. 777301, 787301
with power failure typ.	60 ms No. 777301, 787301
with power failure max.	100 ms No. 777301, 787301
with power failure typ. U_B AC/DC: 24 V No. 777302, 787302	180 ms No. 777302, 787302
with power failure max. U_B AC/DC: 24 V No. 777302, 787302	230 ms No. 777302, 787302
with power failure typ. U_B AC : 240 V	1,100 ms No. 777302, 787302
with power failure max. U_B AC : 240 V	1500 ms No. 777302, 787302
Recovery time at max. switching frequency 1/s	
after E-STOP	50 ms
after power failure	200 ms No. 777301, 787301 250 ms No. 777302, 787302
after power failure on universal power supply	1500 ms No. 777302, 787302
Simultaneity, channel 1 and 2	∞
Supply interruption before de-energisation	20 ms
Environmental data	
EMC	EN 60947-5-1, EN 61000-6-2, EN 61000-6-4
Vibration to EN 60068-2-6	
Frequency	10 - 55 Hz
Amplitude	0.35 mm
Climatic suitability	EN 60068-2-78
Airgap creepage in accordance with EN 60947-1	
Pollution degree	2
Overvoltage category	III / II
Rated insulation voltage	250 V
Rated impulse withstand voltage	4.00 kV
Ambient temperature	-10 - 55 °C No. 777302, 787302 -35 - 55 °C No. 777301, 787301
Storage temperature	-40 - 85 °C
Protection type	
Mounting (e.g. cabinet)	IP54
Housing	IP40
Terminals	IP20
Mechanical data	
Housing material	
Housing	PPO UL 94 V0
Front	ABS UL 94 V0
Cross section of external conductors with screw terminals	
1 core flexible	0.25 - 2.50 mm², 24 - 12 AWG No. 777301, 777302
2 core, same cross section, flexible:	
with crimp connectors, without insulating sleeve	0.25 - 1.00 mm², 24 - 16 AWG No. 777301, 777302
without crimp connectors or with TWIN crimp connectors	0.20 - 1.50 mm², 24 - 16 AWG No. 777301, 777302

Up to PL e of EN ISO 13849-1 PNOZ X2.8P

Mechanical data	
Torque setting with screw terminals	0.50 Nm No. 777301, 777302
Cross section of external conductors with spring-loaded terminals: Flexible with/without crimp connectors	0.20 - 1.50 mm ² , 24 - 16 AWG No. 787301, 787302
Spring-loaded terminals: Terminal points per connection	2 No. 787301, 787302
Stripping length	8 mm No. 787301, 787302
Dimensions	
Height	101.0 mm No. 787301, 787302 94.0 mm No. 777301, 777302
Width	22.5 mm
Depth	121.0 mm
Weight	190 g No. 777301, 787301 210 g No. 777302, 787302

No. stands for order number.

It is essential to consider the relay's service life graphs. The relay outputs' safety-related characteristic data is only valid if the values in the service life graphs are met.

The PFH value depends on the switching frequency and the load on the relay output.
If the service life graphs are not accessible, the stated PFH value can be

used irrespective of the switching frequency and the load, as the PFH value already considers the relay's B10d value as well as the failure rates of the other components.

All the units used within a safety function must be considered when calculating the safety characteristic data.

INFORMATION

A safety function's SIL/PL values are **not** identical to the SIL/PL values of the units that are used and may be different. We recommend that you use the PAScal software tool to calculate the safety function's SIL/PL values.

The standards current on **2010-07** apply.

Conventional thermal current while loading several contacts		
Number of contacts	I_{th} per contact at U_B DC	I_{th} at U_B AC
1	6.00 A	6.00 A
2	6.00 A	4.00 A No. 777301, 787301 6.00 A No. 777302, 787302
3	4.50 A No. 777302, 787302 5.00 A No. 777301, 787301	3.50 A No. 777301, 787301 4.50 A No. 777302, 787302

Order reference				
Type	Features		Terminals	Order no.
PNOZ X2.8P C	24 VAC	24 VDC	Spring-loaded terminals	787 301
PNOZ X2.8P	24 VAC	24 VDC	Screw terminals	777 301
PNOZ X2.8P C	24 - 240 VAC	24 - 240 VDC	Spring-loaded terminals	787 302
PNOZ X2.8P	24 - 240 VAC	24 - 240 VDC	Screw terminals	777 302