

Filler module with pull handle mechanism (stainless steel)

Produktauslauf

lieferbar solange

Vorrat reicht



Filler module, single, full-size with air baffle

Part no.: 20849-022

Features:

- Shielded filler modules are used to close unused slots
- The optional air baffle (airflow adjustable) can be used to prevent an air short-circuit
- For conventional, cutaway and hybrid carrier
- Pull-handle mechanism meets AdvancedMC standard; pull handle to extract sub-assembly
- Stainless steel

Add to basket



Produktauslauf **RoHS COMPLIANT**

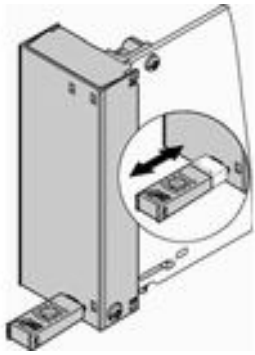
Technical information:

Material	Description	Qty/PU
Stainless steel	Single compact, 3 HP	1 piece

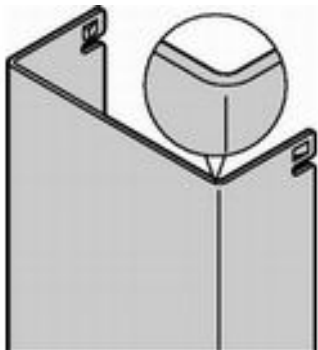
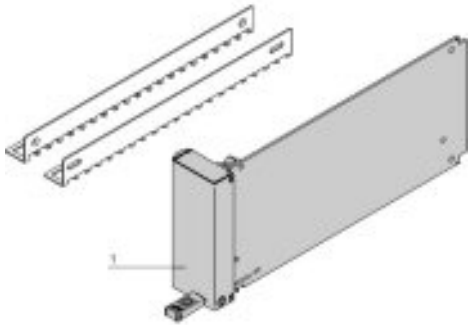
Downloads:

3D PDF with CAD data (STEP/DWG/DXF/PDF) ([Log in](#) Required)

!!!



Pull-handle mechanism



Stainless steel

Cost-optimised successor product (20849-348)

!!!

AdvancedTCA Packaging Solutions (PDF)

FAQs on AdvancedTCA carriers and AdvancedMC modules

MicroTCA specification

To gain access to the additional information you must [Log in](#).

If you do not yet have a user name, you may [Register here](#).

Delivery comprises: assembled

Item	Qty	Description
1	1	AdvancedMC filler module, consisting of
	1	U-shaped front panel, brushed stainless steel, 0.6 mm
	1	Board support, die-cast zinc, nickel-plated
	1	PCB
	1	Insertion/extraction mechanics and PCB bracket
	1	Handle, plastic, PC, UL 94 V-0, black
	1	Lateral EMC profile gasketing, core: foam, sleeve: textile cladding with CuNi coating
	1	Lower EMC profile gasketing, core: foam, sleeve: textile cladding with CuNi coating

Accessories:

Part		

Product illustrations are exemplary illustrations and can deviate from supplied products.

no.	Description	
20849-016	Air baffle for filler module ECO for compact filler modules, 10 pieces	Add to basket