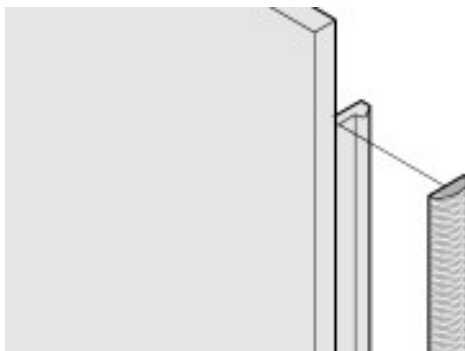
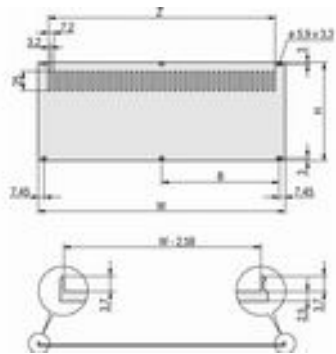


## Rear panel, perforated, for mounting on horizontal rails



EMC textile gasket

Product illustrations are exemplary illustrations and can deviate from supplied products.

**Part no.:** 20848-636

### Features:

- Shielded with EMC profile seal
- Assembly on horizontal rails



### Technical information:

Description	For case height	H	Width	Width W	Width B	h
shieldable	3, 4-air U	128,4 mm	84 HP	426,4 (mm)	208,3 mm	122,4 mm

### Downloads:

CAD-Data in DWG DXF and PDF format ([Log in](#) Required)  
 CAD-Data in STEP-3D format ([Log in](#) Required)

To gain access to the additional information you must [Log in](#).  
 If you do not yet have a user name, you may [Register here](#).

Add to basket



**Delivery comprises:** in kit form

Item	Qty	Description
1	1	Rear panel, Al, 2.5 mm, front: anodised, rear: iridescent green chromated; shieldable with EMC sealing (textile)

**Accessories:**

Part no.	Description	
<a href="#">21101-854</a>	Textile EMC gasket 3 U, PU 100 pieces	Add to basket
<a href="#">21101-853</a>	Textile EMC gasket 3 U, PU 10 pieces	Add to basket

**Note:**

- EMC profile seal please order separately
- Assembly kit please order separately