

THRU-HOLE (THM) & SURFACE MOUNT (SMT) COIN CELL HOLDERS


12mm to 16mm COIN CELL HOLDERS

DESIGN ADVANTAGES...

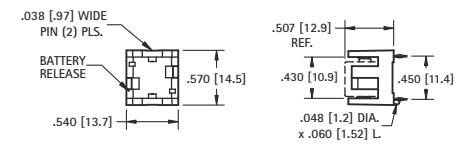
- Reliable spring tension assures low contact resistance
- Retains battery securely to withstand shock and vibration
- Base material UL Rated 94V-0. Impervious to most industrial solvents
- Operating temperature range: -60°F to +293°F (-50°C to +145°C)

IDEALLY SUITED FOR...

- Computer memory, power transfer and back-up systems
- Video and telecommunications power back-up
- Microprocessors and Microcomputer memory hold (desktop and laptop applications)
- Industrial and commercial security and alarm systems
- PC/104 application



THRU HOLE MOUNT




.038 [.97] WIDE PIN (2) PLS.
BATTERY RELEASE
.570 [14.5]
.540 [13.7]

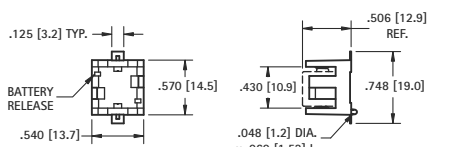
.507 [12.9] REF.
.430 [10.9]
.450 [11.4]
.048 [1.2] DIA. x .060 [1.52] L.

1/3N

AVAILABLE ON TAPE AND REEL



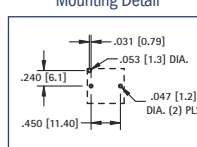
SURFACE MOUNT



.125 [3.2] TYP.
BATTERY RELEASE
.570 [14.5]
.430 [10.9]
.506 [12.9] REF.
.748 [19.0]
.048 [1.2] DIA. x .060 [1.52] L.

MATERIAL:
Base: High Temperature Nylon 46, UL Rated 94V-0
Contacts: .012 (.30) Phosphor Bronze, Tin Plate

Mounting Detail

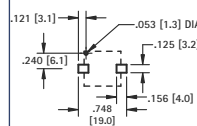


.031 [0.79]
.053 [1.3] DIA.
.240 [6.1]
.450 [11.40]
.047 [1.2] DIA. (2) PLS

MATERIAL:
Base: High Temperature Nylon 46, UL Rated 94V-0
Contacts: .012 (.30) Phosphor Bronze, Gold Plate (Flash)

| CAT. NO. BULK | ON TAPE & REEL | CELLS | BATTERY REFERENCE |
|---------------|----------------|-------|---|
| 498 | 498TR | 1 | DL1/3N, K58L, CR1/3N |
| | | 2 | SR44, 357, MS76, G-13, 303, V313, PX76A |

Pad Layout




121 [3.1]
.053 [1.3] DIA.
.125 [3.2]
.240 [6.1]
.748 [19.0]
.156 [4.0]

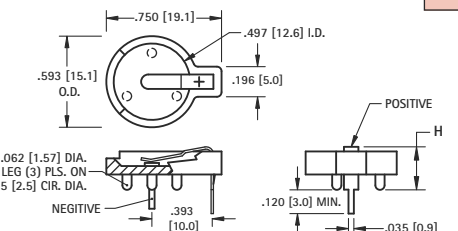
Table:

| CAT. NO. BULK | ON TAPE & REEL | CELLS | BATTERY REFERENCE |
|---------------|----------------|-------|---|
| 498 | 498TR | 1 | DL1/3N, K58L, CR1/3N |
| | | 2 | SR44, 357, MS76, G-13, 303, V313, PX76A |

Table & Reel Spec's: 44mm wide; 20mm pitch; 13 inch reel (200 pieces per reel)




THRU HOLE MOUNT



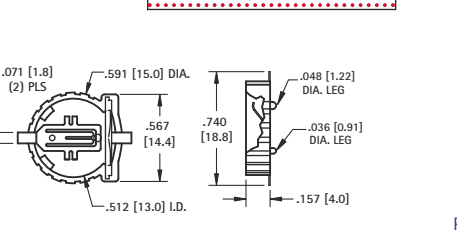
.750 [19.1]
.497 [12.6] I.D.
.593 [15.1] O.D.
.196 [5.0]
.062 [1.57] DIA. LEG (3) PLS. ON .375 [2.5] CIR. DIA.
NEGATIVE
.393 [10.0]

12mm

AVAILABLE ON TAPE AND REEL



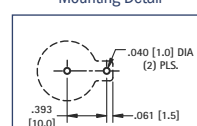
SURFACE MOUNT



.071 [1.8] (2) PLS.
.591 [15.0] DIA.
.048 [1.22] DIA. LEG
.567 [14.4]
.740 [18.8]
.036 [0.91] DIA. LEG
.512 [13.0] I.D.
.157 [4.0]

MATERIAL:
Base: PBT, UL Rated 94V-0
Positive Contact: .015 (.38) Spring Steel, Tin-Nickel Plate
Negative Contact: .035 (.89) Dia. Steel, Tin-Nickel Plate

Mounting Detail

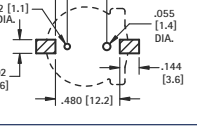


.040 [1.0] DIA (2) PLS.
.393 [10.0]
.061 [1.5]

MATERIAL:
Base: Glass Filled PPS, UL Rated 94V-0
Contacts: .008 (.20) Phosphor Bronze, Gold Plate (Flash)

| CAT. NO. BULK | ON TAPE & REEL | CELLS | BATTERY REFERENCE |
|---------------|----------------|-------|-------------------|
| 1056 | 1056TR | 1 | CR1220, BR1220 |

Pad Layout




.088 [2.2]
.042 [1.1] DIA.
.295 [7.5]
.055 [1.4] DIA.
.102 [2.6]
.480 [12.2]
.144 [3.6]

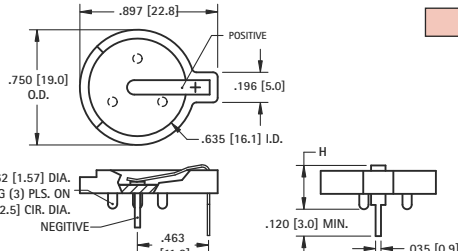
Table:

| CAT. NO. BULK | ON TAPE & REEL | CELLS | BATTERY REFERENCE |
|---------------|----------------|-------|-------------------|
| 1056 | 1056TR | 1 | CR1220, BR1220 |

Table & Reel Spec's: 32mm wide; 20mm pitch; 13 inch reel (500 per reel)




THRU HOLE MOUNT



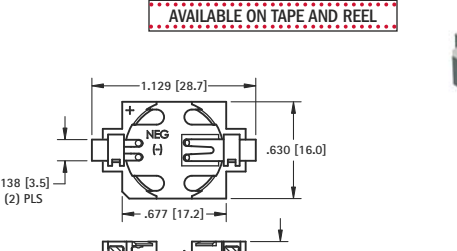
.897 [22.8]
.750 [19.0] O.D.
.196 [5.0]
.635 [16.1] I.D.
.062 [1.57] DIA. LEG (3) PLS. ON .375 [2.5] CIR. DIA.
NEGATIVE
.463 [11.8]

16mm

AVAILABLE ON TAPE AND REEL



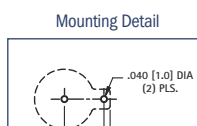
SURFACE MOUNT



1.129 [28.7]
.138 [3.5] (2) PLS.
.677 [17.2]
.630 [16.0]
.212 [5.4]

MATERIAL:
Base: Glass Filled LCP, UL Rated 94V-0
Positive Contact: .015 (.38) Spring Steel, Tin-Nickel Plate
Negative Contact: .035 (.89) Dia. Steel, Tin-Nickel Plate

Mounting Detail

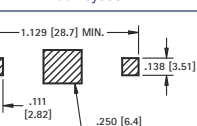


.040 [1.0] DIA (2) PLS.
.463 [11.8]
.061 [1.5]

MATERIAL:
Base: Glass Filled LCP, UL Rated 94V-0
Contacts: .006 (.15) Phosphor Bronze, Gold Plate (Flash)

| CAT. NO. BULK | ON TAPE & REEL | CELLS | BATTERY REFERENCE |
|---------------|----------------|-------|-------------------|
| 504 | 504TR | 1 | BR1625, CR1632 |

Pad Layout




1.129 [28.7] MIN.
.111 [2.82]
.138 [3.51]
.250 [6.4] SQUARE ZONE FOR OPTIONAL ADHESIVE

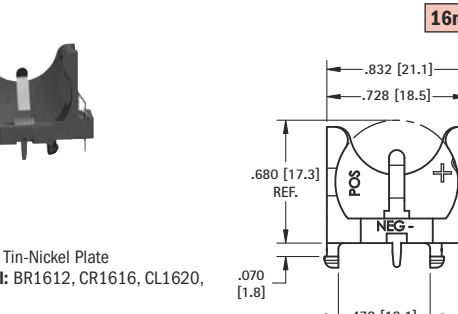
Table:

| CAT. NO. BULK | ON TAPE & REEL | CELLS | BATTERY REFERENCE |
|---------------|----------------|-------|-------------------|
| 504 | 504TR | 1 | BR1625, CR1632 |

Table & Reel Spec's: 44mm wide; 24mm pitch; 13 inch reel (450 per reel)




THRU HOLE MOUNT

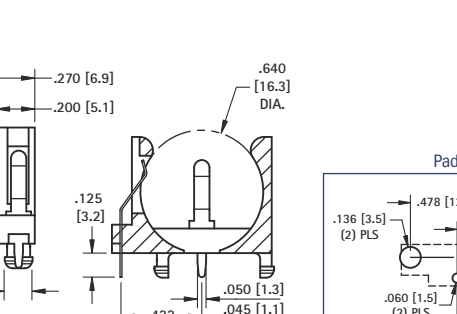


.832 [21.1]
.728 [18.5]
.680 [17.3] REF.
.070 [1.8]
.478 [12.1]

16mm VERTICAL



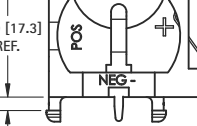
SURFACE MOUNT



.270 [6.9]
.200 [5.1]
.640 [16.3] DIA.
.125 [3.2]
.145 [3.7] DIA.
.422 [10.7]
.050 [1.3]
.045 [1.1]

MATERIAL:
Base: PBT, UL Rated 94V-0
Contacts: .010 (.25) Steel, Tin-Nickel Plate
Battery Reference: (1) cell: BR1612, CR1616, CL1620, CR1625, BR1632

Mounting Detail

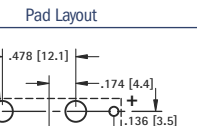


.070 [1.8]
.478 [12.1]

MATERIAL:
Base: Glass Filled LCP, UL Rated 94V-0
Contacts: .006 (.15) Phosphor Bronze, Gold Plate (Flash)

| CAT. NO. BULK | ON TAPE & REEL | CELLS | BATTERY REFERENCE |
|---------------|----------------|-------|-------------------|
| 504 | 504TR | 1 | BR1625, CR1632 |

Pad Layout



.136 [3.5] (2) PLS.
.478 [12.1]
.174 [4.4]
.136 [3.5]
.060 [1.5] (2) PLS.
.422 [10.7]
.047 [1.2]

Table:

| CAT. NO. BULK | ON TAPE & REEL | CELLS | BATTERY REFERENCE |
|---------------|----------------|-------|-------------------|
| 504 | 504TR | 1 | BR1625, CR1632 |

Table & Reel Spec's: 44mm wide; 24mm pitch; 13 inch reel (450 per reel)

CAT. NO. 1069