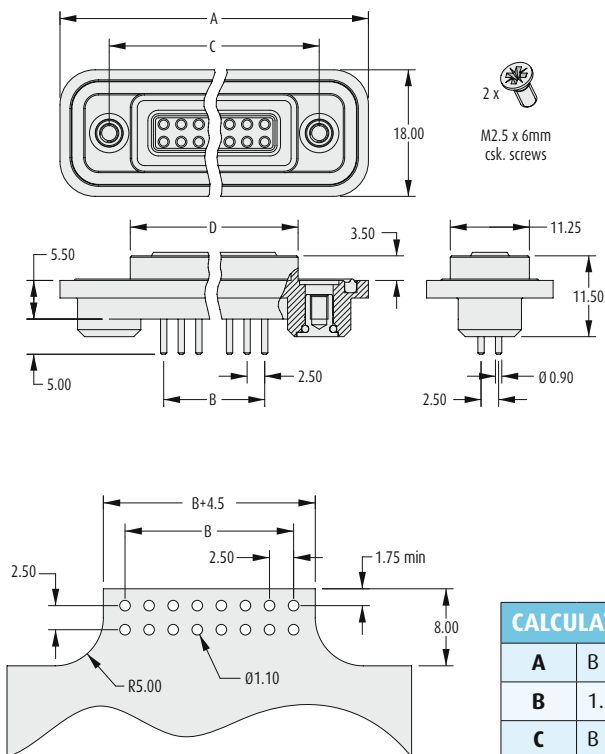


## Male Connector

- ❖ Sealed to IP68 at 1.5m.
- ❖ Designed to mate with a spring probe connector – see page 159.
- ❖ Solder Cup Tail suitable for 26 AWG cable.
- ❖ Recommended panel/bulkhead thickness is 1.5mm.

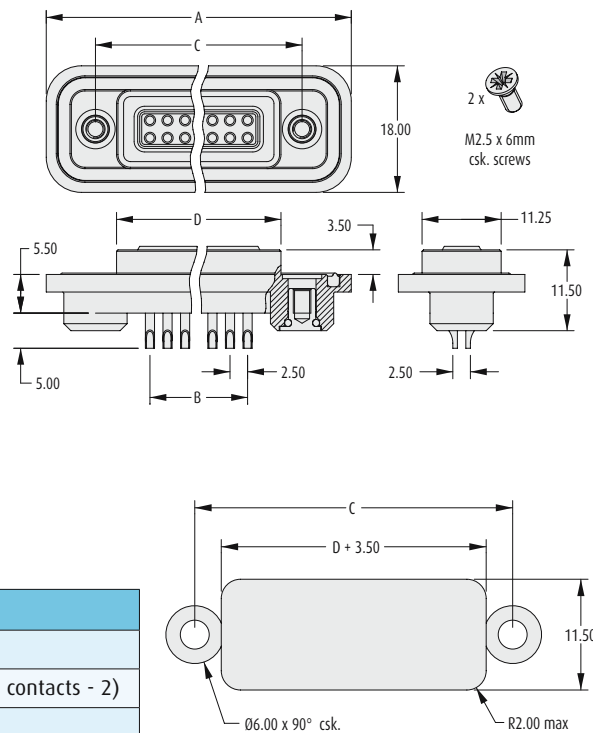


### PC TAIL



Recommended PC Board Pattern

### SOLDER TAIL



Recommended Panel Cut-out

CALCULATION	
<b>A</b>	$B + 29.50$
<b>B</b>	$1.25 \times (\text{Total no. of contacts} - 2)$
<b>C</b>	$B + 15.50$
<b>D</b>	$B + 9.50$

### HOW TO ORDER

**M90 - 70X XX 45**

**SERIES CODE**

TYPE	
<b>704</b>	PC Tail
<b>706</b>	Solder Cup Tail

FINISH		
<b>45</b>	Gold	

TOTAL NO. OF CONTACTS
<b>08, 12, 16</b>

All dimensions in mm.

HOTSHOE