

**ebm-papst Mulfingen GmbH & Co. KG**

Bachmühle 2

74673 Mulfingen

Phone: +49 7938 81-0

Fax: +49 7938 81-110

www.ebmpapst.com

info1@de.ebmpapst.com

**Nominal data**

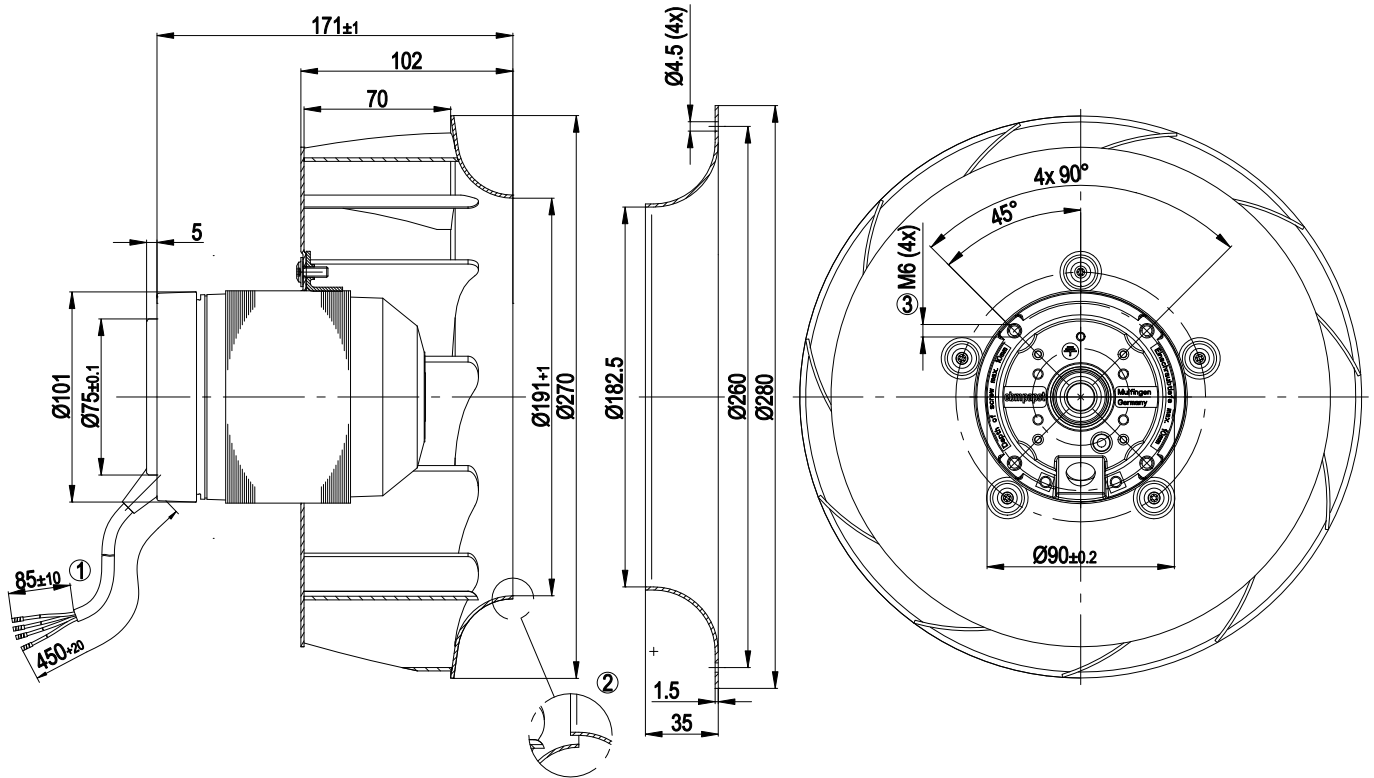
<b>Type</b>	<b>R2E270-AA01-05</b>		
<b>Motor</b>	<b>M2E074-GA</b>		
Phase		1~	1~
Nominal voltage	[V]	230	230
Frequency	[Hz]	50	60
Type of data definition		rfa	rfa
Valid for approval / standard		CE	CE
Speed	[min <sup>-1</sup> ]	2750	3100
Power input	[W]	280	430
Current draw	[A]	1.23	1.88
Motor capacitor	[μF]	10	10
Capacitor voltage	[VDB]	400	400
Min. back pressure	[Pa]	0	0
Max. ambient temperature	[°C]	60	50

ml = max. load · me = max. efficiency · rfa = running at free air · cs = customer specs · cu = customer unit  
Subject to alterations

## Technical features

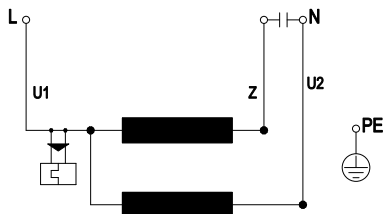
Leakage current	< 0.75 mA
Size	270 mm
Operation mode	S1
Direction of rotation	Clockwise, seen on rotor
Mounting position	Shaft horizontal or rotor on bottom; rotor on top on request
Humidity class	F1-2
Insulation class	"F"
Cable exit	Variable
Condensate discharge holes	Rotor-side
Bearing motor	Ball bearing
Mass	4.7 kg
Material of impeller	Sheet steel
Motor protection	Thermal overload protector (TOP) wired internally
Product conforming to standard	CE
Surface of rotor	Coated in black
Number of blades	11
Type of protection	IP 44
Protection class	I
Max. permissible ambient motor temp. (transp./ storage)	+ 80 °C
Min. permissible ambient motor temp. (transp./storage)	- 40 °C
Approval	CCC

## Product drawing



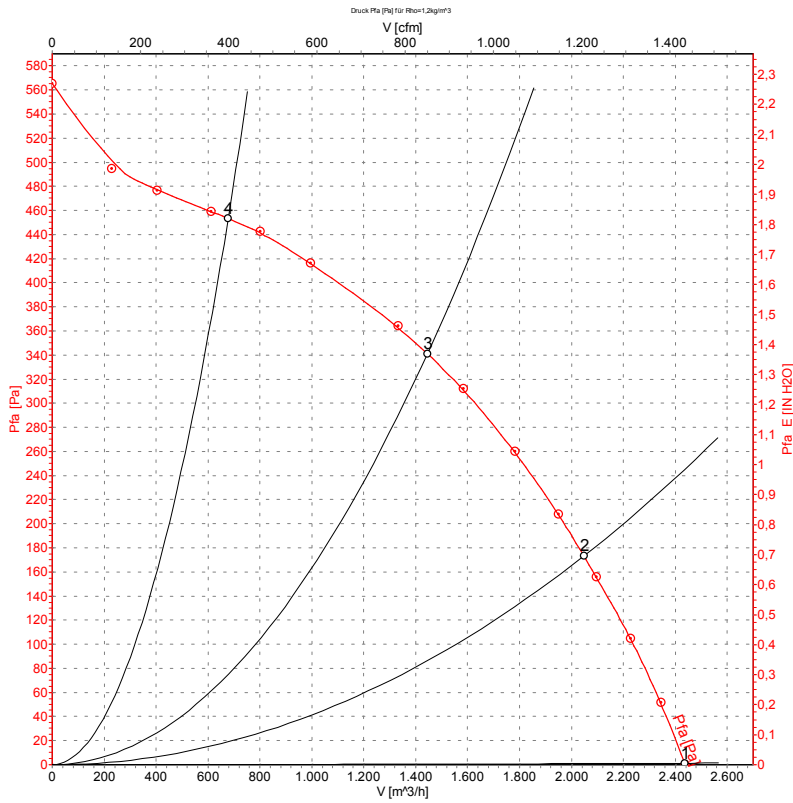
- |   |                                                                                           |
|---|-------------------------------------------------------------------------------------------|
| 1 | Connection line silicone 4G 0.5 mm <sup>2</sup> , 4 x brass lead tips crimped             |
| 2 | Accessory part: Inlet nozzle 96360-2-4013, not included in the standard scope of delivery |
| 3 | Depth of screw max. 10 mm                                                                 |

## Connection screen



U1	blue	Z	brown	U2	black
PE	green/yellow				

## Charts: Air flow 50 Hz

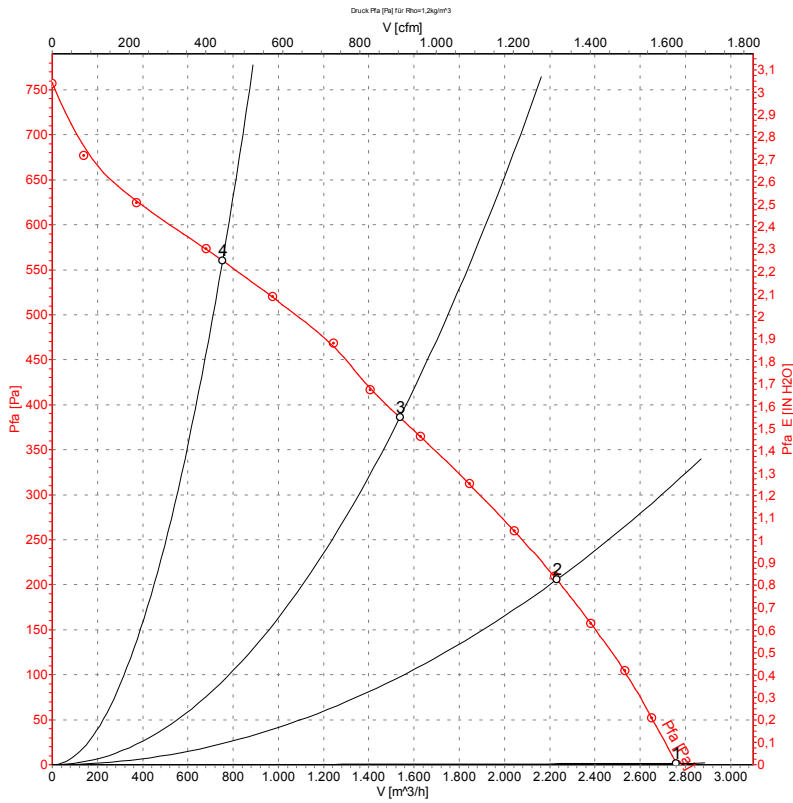


Measurement: LU-50466

## Measured values

	U	f	n	P <sub>1</sub>	I	η <sub>TL</sub>	Ṃ	P <sub>fa</sub>
	[V]	[Hz]	[min <sup>-1</sup> ]	[W]	[A]	[%]	[m <sup>3</sup> /h]	[Pa]
1	230	50	2750	280	1.23	31	2435	0
2	230	50	2680	337	1.46	55	2050	173
3	230	50	2635	363	1.58	57	1445	341
4	230	50	2730	305	1.33	40	680	453

## Charts: Air flow 60 Hz



Measurement: LU-50467

## Measured values

	U	f	n	P <sub>1</sub>	I	η <sub>TL</sub>	Ṃ	P <sub>fa</sub>
	[V]	[Hz]	[min <sup>-1</sup> ]	[W]	[A]	[%]	[m <sup>3</sup> /h]	[Pa]
1	230	60	3100	430	1.88	31	2760	0
2	230	60	2920	494	2.16	55	2230	206
3	230	60	2800	520	2.26	57	1540	386
4	230	60	3035	457	2.02	39	755	560