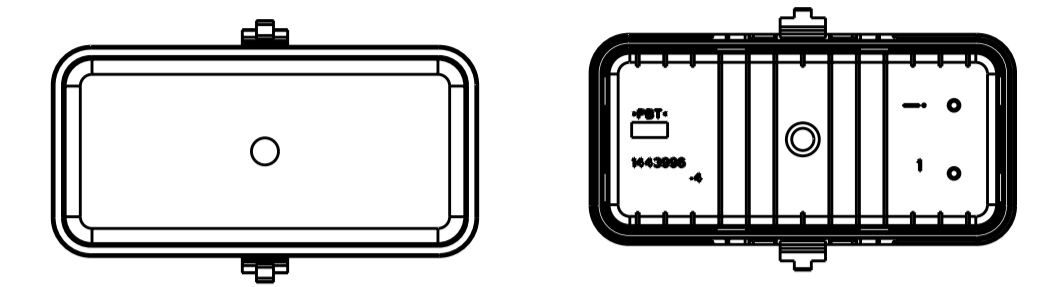
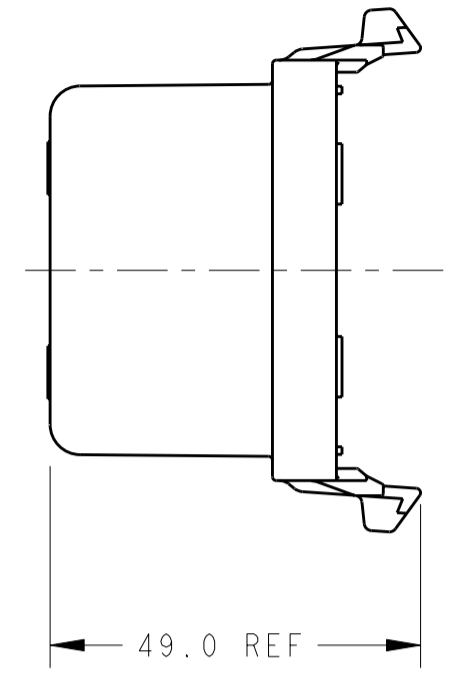
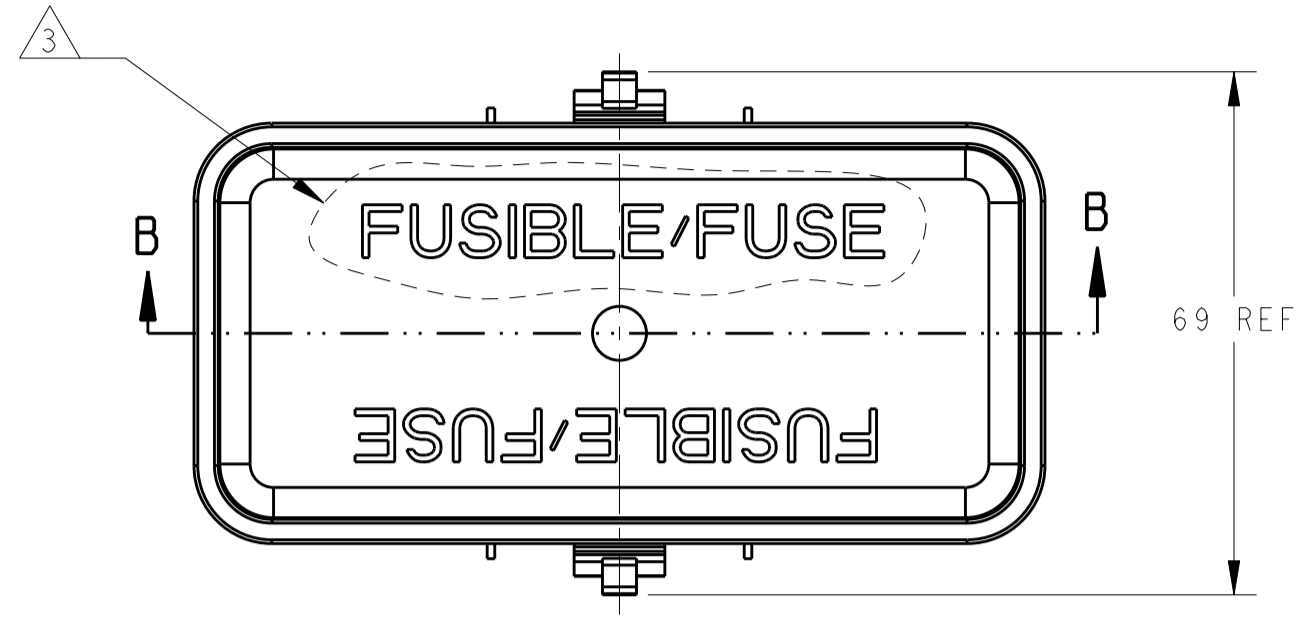


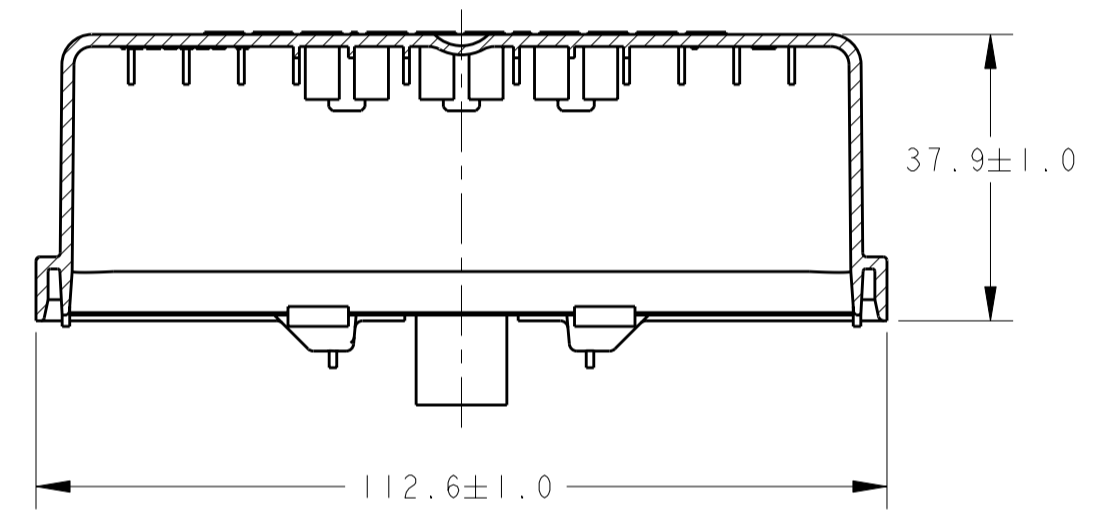
THIS DRAWING IS UNPUBLISHED. RELEASED FOR PUBLICATION 20
 © COPYRIGHT 20 ALL RIGHTS RESERVED.

LOC	DIST	REVISIONS			
P	LTR	DESCRIPTION	DATE	DWN	APVD
HK	00	A2	REVISED PER ECO-11-005027	17MAY2011	RK HMR

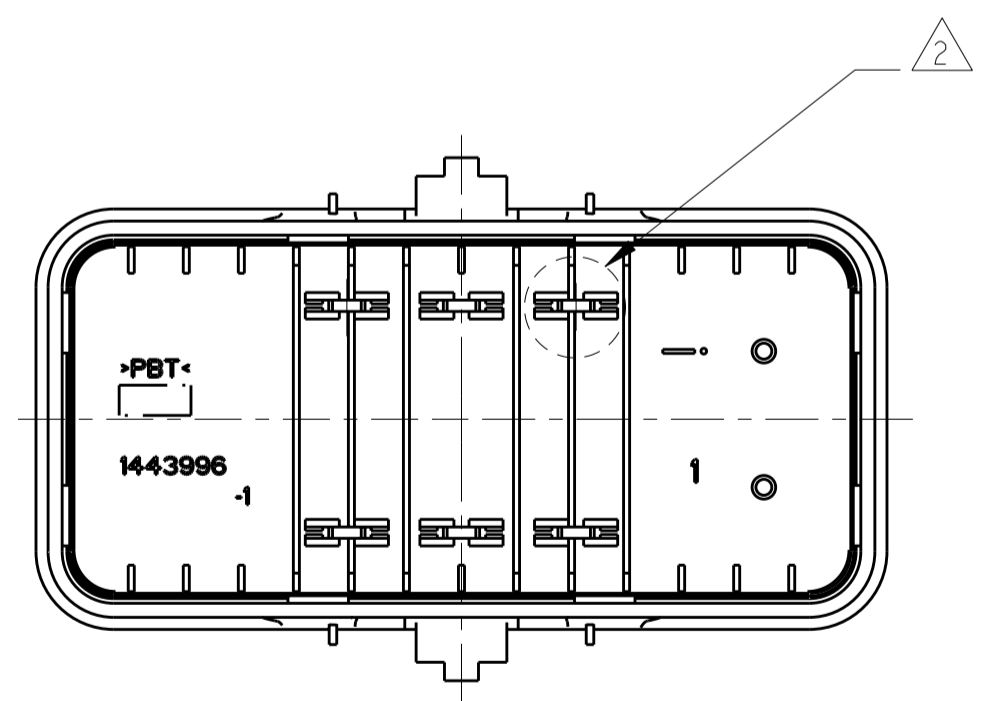


SCALE 1:2
 NO TOPSIDE GRAPHICS
 1443996-3 AND 1443996-4

SCALE 1:2
 W/O FUSE HOLDER
 1443996-2 AND 1443996-4



SECTION B-B



SCALE 1:1
 1443996-1 SHOWN

- 1 MATERIAL - PBT, BLACK
- 2 SPARE MINI FUSE HOLDERS, 1443996-1 AND 1443996-3 ONLY.
- 3 TOPSIDE RAISED TEXT: "FUSIBLE/FUSE", 1443996-1 AND 1443996-2 ONLY.

REVISION	DESCRIPTION	PART NUMBER
A	COVER, 60 POS, W/O FUSE HOLDER, NO TOPSIDE GRAPHICS.	1443996-4
A	COVER, 60 POS, NO TOPSIDE GRAPHICS	1443996-3 2
A	COVER, 60 POS, W/O FUSE HOLDER	1443996-2 3
A	COVER, 60 POSITION	1443996-1 2 3

THIS DRAWING IS A CONTROLLED DOCUMENT.		DWN K. BOYD 17MAY2005	TE Connectivity	
DIMENSIONS: mm		CHK K. BOYD 17MAY2005		
TOLERANCES UNLESS OTHERWISE SPECIFIED:		APVD R. MCCRAW 17MAY2005	NAME COVER, 60 POSN	
0 PLC ±1 1 PLC ±0.25 2 PLC ±0.15 3 PLC ± 4 PLC ± ANGLES ± FINISH		PRODUCT SPEC -	SIZE A2	CAGE CODE 200779
MATERIAL 1		APPLICATION SPEC -	DRAWING NO 1443996	RESTRICTED TO -
		WEIGHT -	SCALE 1:1 SHEET 1 OF 1 REV A2	
		CUSTOMER DRAWING		