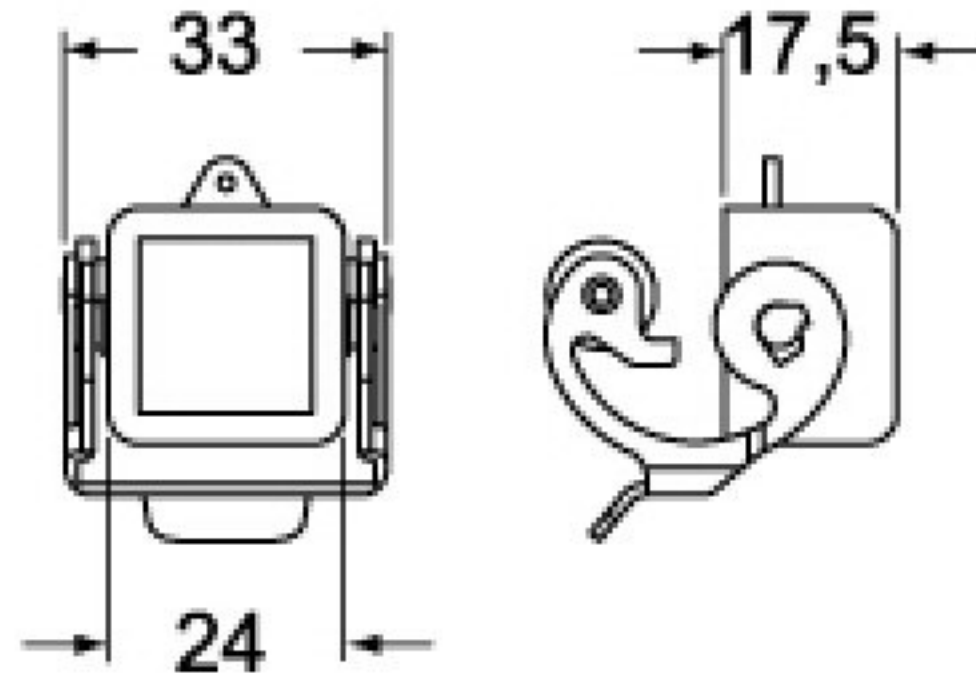


# Product Sheet



**Part Number:**

**CKAX 03 CXA**



**Family** CK and MK enclosures

**Version** metal version

**Series** covers

**Product type** with stainless steel lever

**Type** for male inserts

**Quality mark** 

**Fixing centre distance** size "21.21"

**Material** metal

The information and the dimensions contained are not binding and may be changed without prior notice.  
The drawing's dimensions are in mm.