

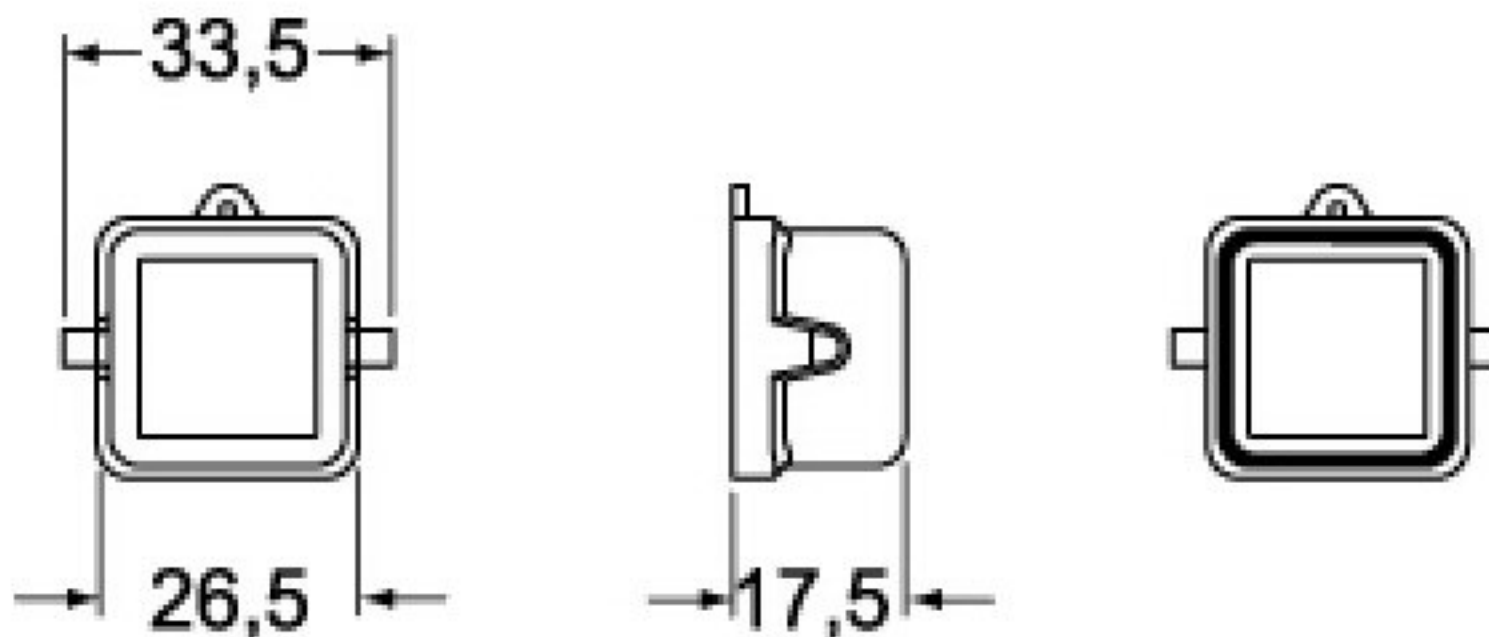
# Product Sheet

**Part Number:**

**CKA 03 C**



www.ilme.com



**Family** CK and MK enclosures

**Version** metal version

**Series** covers

**Product type** with 2 pegs

**Type** for female inserts

**Quality mark** 

**Fixing centre distance** size "21.21"

**Material** metal

The information and the dimensions contained are not binding and may be changed without prior notice.  
The drawing's dimensions are in mm.