

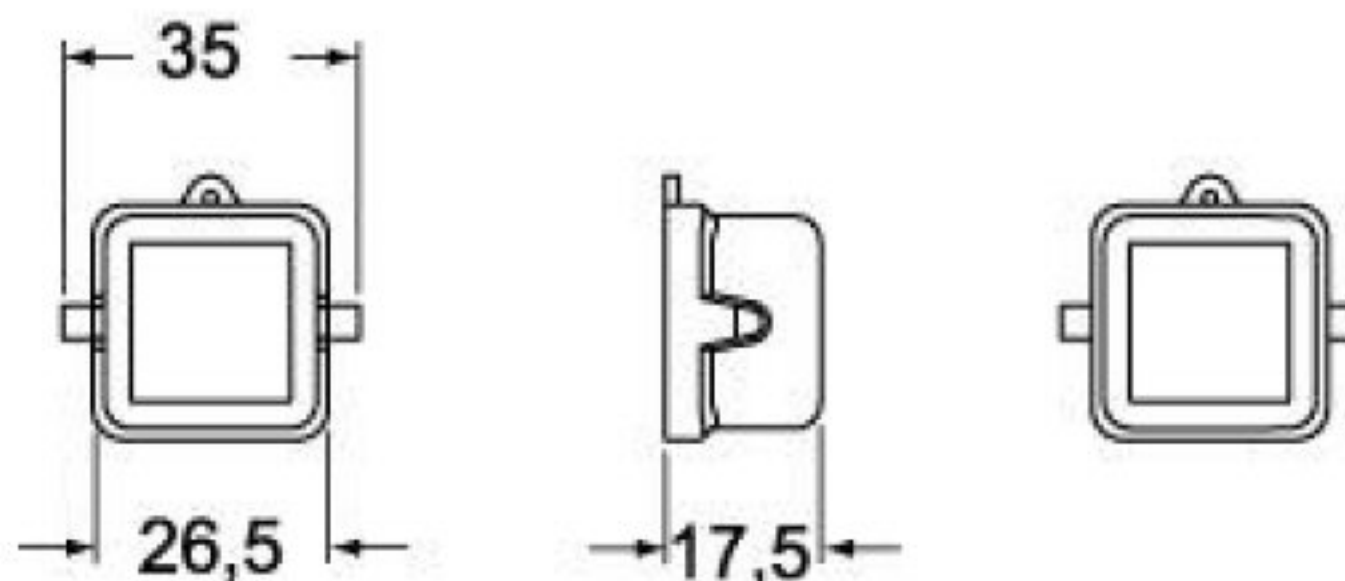
Product Sheet



www.ilme.com

Part Number:

CK 03 CA



Family CK and MK enclosures


Version insulating version

Series covers

Product type with 2 pegs

Type for male inserts

Execution white colour

Quality mark 

Fixing centre distance size "21.21"

Material insulating

The information and the dimensions contained are not binding and may be changed without prior notice.

The drawing's dimensions are in mm.