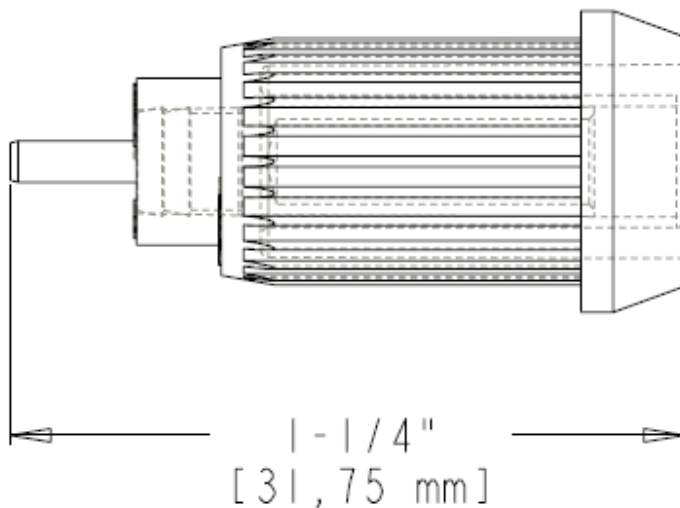
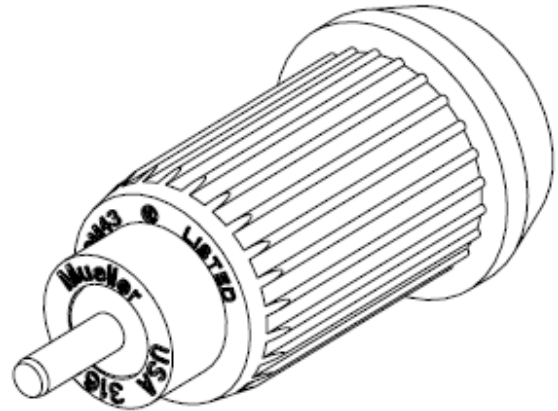




Part Number: BU-31602-*

Description: Pressfit Insulated Banana Jack with Solder Pin Connection

1108



- Pressfit Insulated Banana Jack with Solder Pin Connection
- Material: Banana Plug: nickel-plated brass; Insulator: Dupont 101L
- Length: 1.25" (31.75 mm)
- *Std. Colors: -0 Black, -2 Red, -4 Yellow, -6 Blue
- Rating: 1000Volts, 15Amps, IEC 1010 Compliant
- RoHS Compliant