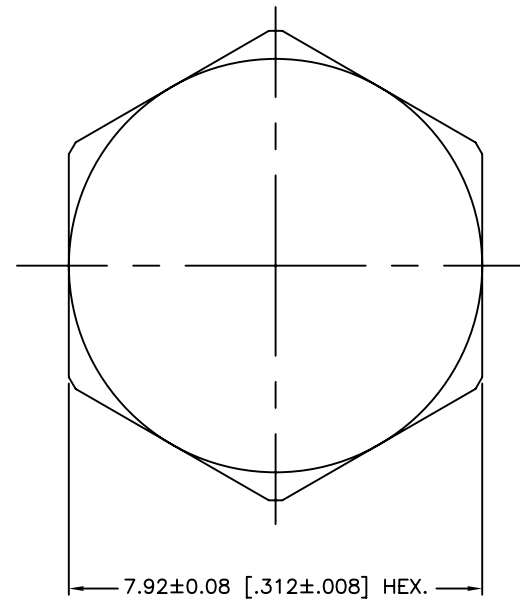
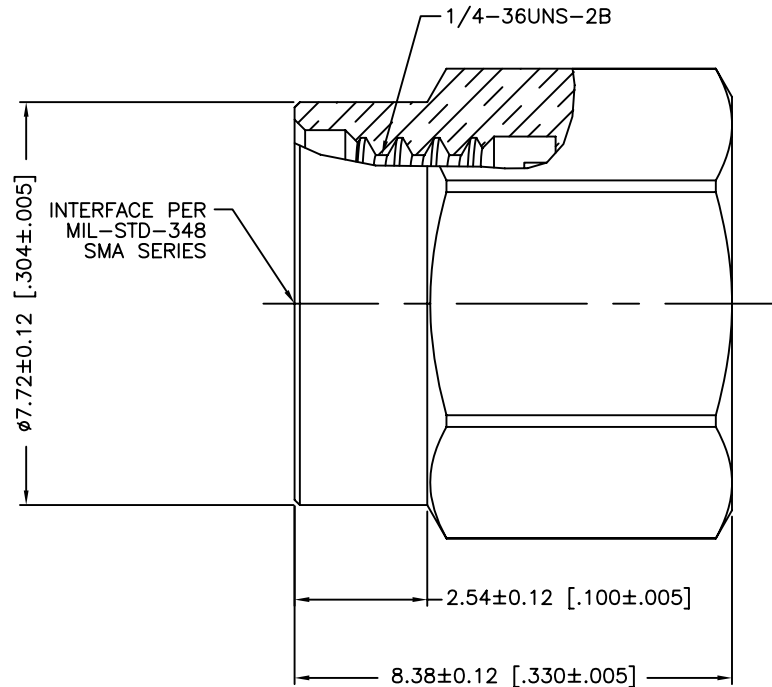
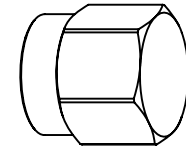


REV.	DATE	ECR NO.	DESCRIPTION
NC	11/10/03	XXXXXX	INITIAL RELEASE
A	1/15/05	XXXXXX	UPDATE RESISTOR WATTAGE
B	10/06/11	2236	UPDATE THE RESISTOR'S DESCRIPTION
C	04/30/12	2307	THE DESIGN WAS CHANGED



1. IMPEDANCE:50 OHM
2. FREQUENCY RANGE: 0-18 GHz.
3. DURABILITY:500 CYCLES MIN.

6	RESISTOR	100 OHM, 0.1 WATT, 1%		2
5	CONTACT PIN	BRASS	GOLD	1
4	INSULATOR	PTFE	NATURAL	1
3	GASKET	SILICON RUBBER	RED	1
2	BODY	BRASS	GOLD	1
1	SHELL	BRASS	GOLD	1
	DESCRIPTION	MATERIAL	FINISH	QTY

UNLESS OTHERWISE SPECIFIED DIMENSIONS ARE IN MILLIMETERS. DIMENSIONS IN [] ARE IN INCHES AND FOR CUSTOMER REFERENCE ONLY.

UNLESS OTHERWISE SPECIFIED TOLERANCES FOR MILLIMETERS ARE:
0.5 - 8mm ± 0.20mm
8 - 30mm ± 0.40mm
30 - 120mm ± 0.50mm

UNLESS OTHERWISE SPECIFIED TOLERANCES FOR INCHES ARE:
.020 - .315 = ± 0.007"
.315 - 1.180 = ± 0.015"
1.180 - 4.724 = ± 0.020"

DO NOT SCALE DRAWING

APPROVALS	DATE
DRAWN M.ZHANG	04/30/12
CHECKED	
ISSUED	
SHEET 1 OF 1	
CAD FILE C:/CONNEX/132360.DWG	

Amphenol Connex			
PART DESCRIPTION SMA TERMINATOR PLUG (50 OHMS)			
PART NO. 132360			
DWG. NO.	132360.DWG	REV. C	SCALE NA