

# KSR Series Subminiature Tact Switch for SMT

## Features/Benefits

- Saves PCB space
- Range of 4 actuation forces
- G terminations
- N.O.
- Detect type available
- Rubber actuator
- IP 50 sealed
- RoHS compliant and compatible

## Typical Applications

- Automotive
- Cellular phones & accessories
- Industrial electronics
- Computers & network equipment



Tactile Switches

## Specification

FUNCTION: momentary action  
CONTACT ARRANGEMENT: Normally Open  
TERMINALS: Gullwing type for SMT

## Mechanical

Type	Operating force Newtons (grams)	Operating life (operations)	Travel
KSR211/213	1,5 <Fa< 2,2	100,000	0,25 ± 0,15
KSR221/223	1,9 <Fa< 2,6	100,000	0,3 ± 0,15
KSR231/233	2,25 <Fa< 3,75	100,000	0,35 ± 0,15
KSR251/253	3,37 <Fa< 5,6	100,000	0,5 ± 0,15
KSR223GNC	1,5 <Fa< 2,5	30,000	0,3 ± 0,15

Overload: 20 Newtons

Detect switch versions are available. Please see Detect chapter KSR2D/M series.

## Packaging

Switches are delivered on continuous tape, in reels of 2,500 pieces.

## Electrical

	Silver	Gold
MAXIMUM POWER:	1 VA	0.2 VA
MAXIMUM VOLTAGE:	32 VDC	32 VDC
MINIMUM VOLTAGE:	20 mV	20 mV
MAXIMUM CURRENT DC:	50 mA	10 mA
MINIMUM CURRENT DC:	1 mA	1 mA

CONTACT RESISTANCE: ≤ 100 mΩ

INSULATION RESISTANCE: (100 V): 1G Ω (between terminals)

BOUNCE TIME: 1 ms max.

## Environmental

	Silver	Gold
OPERATING TEMPERATURE:	-40°C to 85°C	-40°C to 125°C
STORAGE TEMPERATURE:	-55°C to 85°C	-55°C to 125°C

## Process

SOLDERING: Compatible with lead free reflow soldering process.

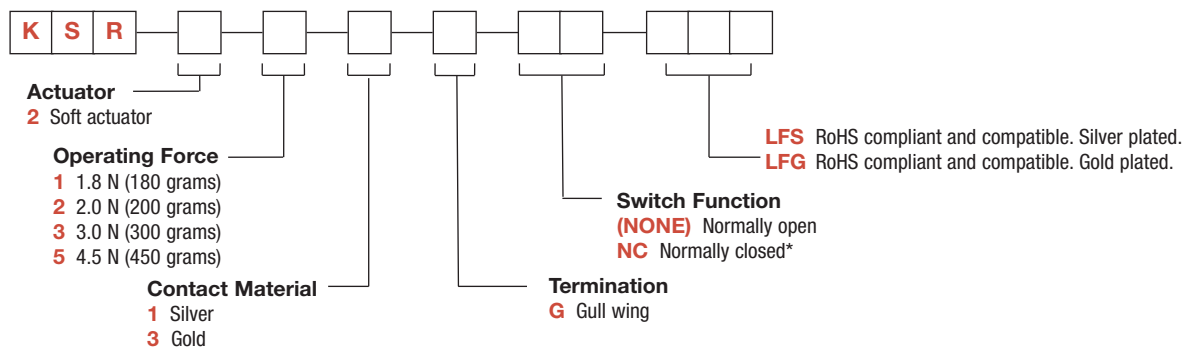
**NOTE:** Specifications listed above are for switches with standard options.  
For information on specific and custom switches, consult Customer Service Center.

## How To Order

Our easy build-a-switch concept allows you to mix and match options to create the switch you need. To order, select desired option from each category and place it in the appropriate box.

**However, please note that all the combinations of these options are not feasible.**

**For any part number different from those listed above, please consult your local representative.**



\*Available on KSR223G only.

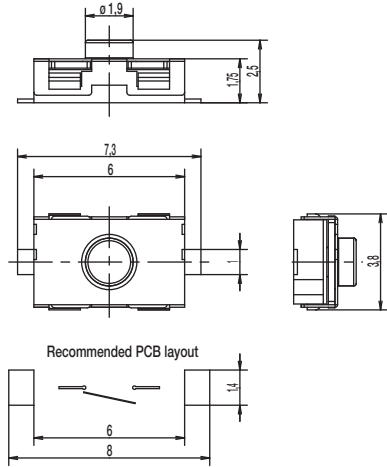
# KSR Series Subminiature Tact Switch for SMT

**KSR**

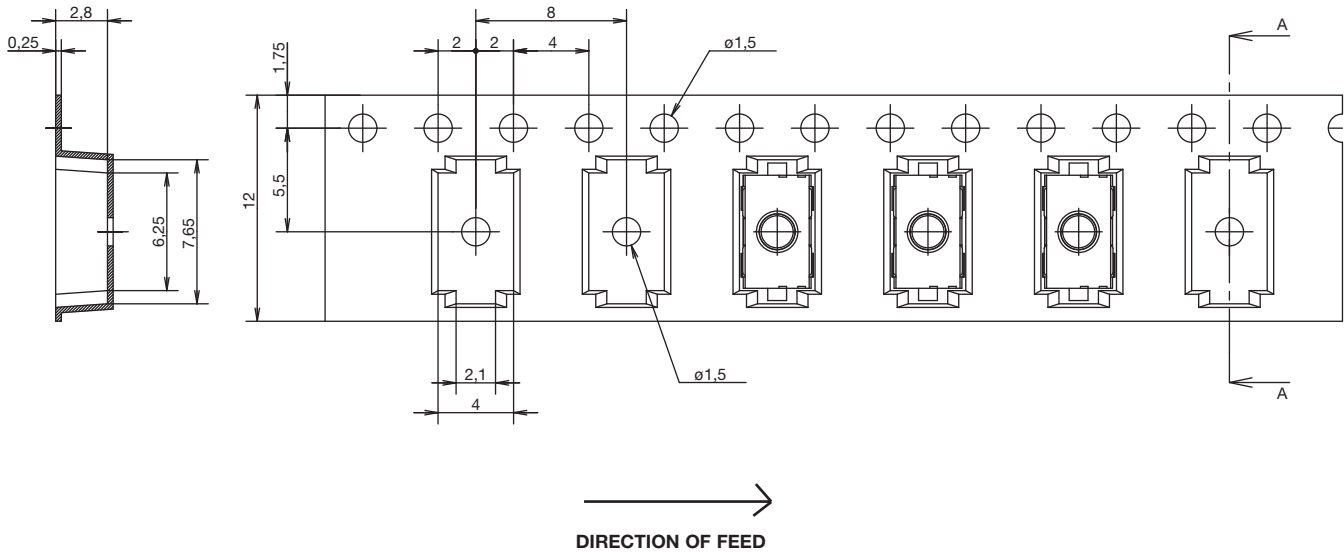


**B**

Tactile Switches



## TAPE & REEL



First Angle  
Projection

Dimensions are shown: mm  
Specifications and dimensions subject to change



9 aug 12

B-18

[www.ck-components.com](http://www.ck-components.com)

# Mouser Electronics

Authorized Distributor

Click to View Pricing, Inventory, Delivery & Lifecycle Information:

## C&K Components:

[KSR211J](#) [KSR221J](#) [KSR231J](#) [KSR251J](#) [KSR251G](#) [KSR253G](#) [KSR223GNC](#) [KSR253G LFG](#) [KSR221G LFS](#)  
[KSR212G LFS](#) [KSR214G LFG](#) [KSR222G LFS](#) [KSR224G LFG](#) [KSR234G LFG](#) [KSR252G LFS](#) [KSR254G LFG](#)  
[KSR232G LFS](#) [KSR2D3MGLFG](#) [KSR211GLFS](#) [KSR223GLFG](#) [KSR223GNCLFG](#) [KSR231GLFS](#) [KSR251GLFS](#)  
[KSR551GLFS](#) [KSR553GLFG](#) [KSR213GLFG](#) [KSR233G LFG](#)