

## HUBBELL USB Charger Receptacle Tamper-Resistant Duplex

### More Power - Charge Faster

- 3 Amps of USB Capacity
  - Charge Two Tablets Simultaneously
- Duplex Outlets
  - More Capacity
- 15 and 20 Amp
  - Specification Grade
  - Hospital Grade

#### FEATURES

- Two USB ports 3 Amp, 5VDC, Type A, 2.0
- Tamper-Resistant (TR) decorator duplex
- Green LED indicator to show USB power available
- Impact and chemical resistant
- Back and side wire for solid or stranded wire
- Flush fit design

#### SPECIFICATIONS

- Electrical ratings: 15 or 20 Amp, 125VAC, USB 3 Amp, 5VDC
- Input voltage: 125VAC, 60Hz
- Circuit feed-through 20 Amp, 125 Volt
- #10-14 AWG gauge wire terminals
- Dielectric withstand: 2000V
- Operating temperature: maximum continuous 75° C; minimum -40° C (without impact)
- Meets UL94 for 5V flammability rating
- Complies with battery charging specification USB BC1.2
- Compatible with USB 1.1/2.0/3.0 devices, including Apple products
- Complies with Part 15 of the FCC rules
- cULus listed to UL498 and UL1310



Hubbell's USB Charger Receptacle provides both USB and electrical power in a standard single gang electrical opening. Designed to provide more charging options for personal electronics, the USB ports are capable of charging two tablets simultaneously. The tamper-resistant Style Line® decorator outlets provide additional power for appliance use.

#### APPLICATIONS

Ideal for use in renovation, new construction and to add capacity for USB charging. Especially suited for use in universities, dormitories, hotels, hospitals, medical labs, restaurants, airports, classrooms and homes.

Designed for use with:

- |                                 |                    |
|---------------------------------|--------------------|
| ■ Apple® Products               | ■ Tablet computers |
| — iPad®                         | ■ GPS              |
| — iPod®                         | ■ Smart Phones     |
| — iPhone®                       | ■ Mobile Phones    |
| ■ Other USB compatible products | ■ Digital Readers  |
|                                 | ■ MP3 Players      |

*Apple, iPad, iPod and iPhone are registered trademarks of Apple Inc.*



# HUBBELL WIRING DEVICE-KELLEMS

## ORDERING INFORMATION

Spec Grade			
Description	Color	15A 125V AC	20A 125V AC
USB Charger Tamper-Resistant Receptacle, Two USB Type 2.0 Ports 3 Amp, 5 Volt DC, 15 or 20 Amp, 125 Volt AC Decorator Duplex	Black	<b>USB15X2BK</b>	<b>USB20X2BK</b>
	Gray	<b>USB15X2GY</b>	<b>USB20X2GY</b>
	Ivory	<b>USB15X2I</b>	<b>USB20X2I</b>
	Light Almond	<b>USB15X2LA</b>	<b>USB20X2LA</b>
	White	<b>USB15X2W</b>	<b>USB20X2W</b>



Hospital Grade			
Description	Color	15A 125V AC	20A 125V AC
USB Charger Tamper-Resistant Receptacle, Two USB Type 2.0 Ports 3 Amp, 5 Volt DC, 15 or 20 Amp, 125 Volt AC Decorator Duplex	Black	<b>USB8200BK</b>	<b>USB8300BK</b>
	Gray	<b>USB8200GY</b>	<b>USB8300GY</b>
	Ivory	<b>USB8200I</b>	<b>USB8300I</b>
	Light Almond	<b>USB8200LA</b>	<b>USB8300LA</b>
	Red	<b>USB8200R</b>	<b>USB8300R</b>
	White	<b>USB8200W</b>	<b>USB8300W</b>

Energy Information				
120V AC Input Power	Energy consumed when USBs are not in use		Energy consumed when USBs are fully used	
	No Load Current	.0013A	Full Load Current	0.323A
	No Load Watts	.63W	Full Load Watts	19.7W

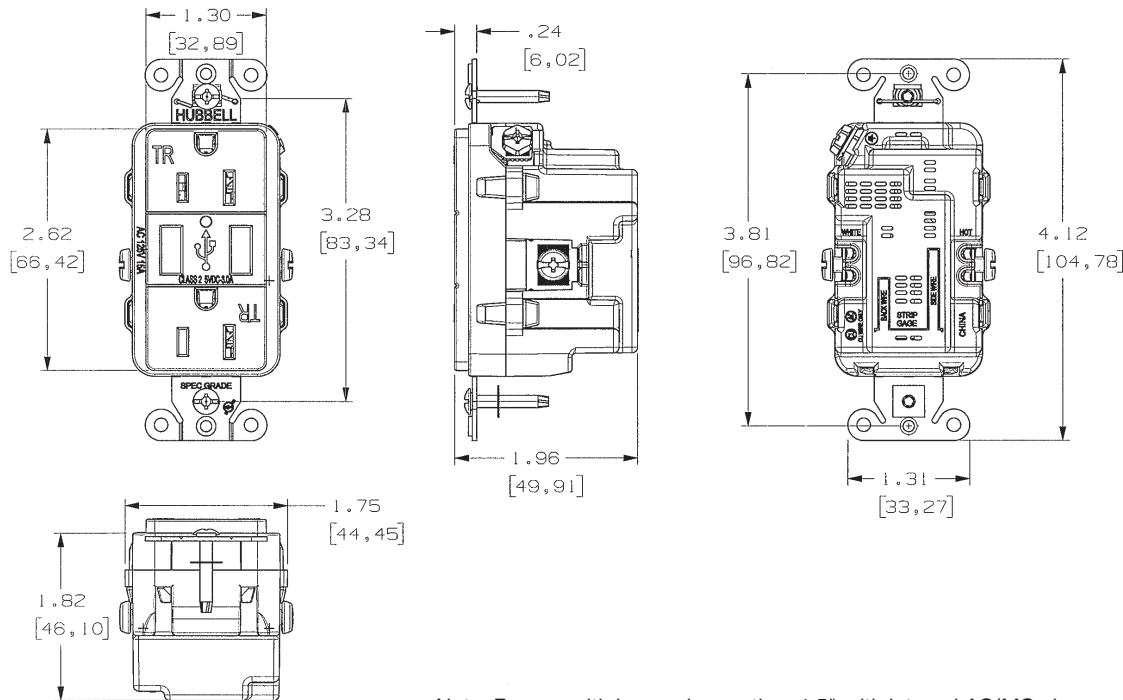
Time to charge an iPad® or similar tablet with the Hubbell USB Charger, from 0% battery charge to 100%, is estimated to be between 5 to 6 hours.

Estimated annual cost to use a USB Charger Receptacle, charging 2 devices (tablets drawing maximum power), for 6 hours a day, at a Kilowatt cost of \$0.10.

Hours of use (6)	x	kilowatt cost (\$0.10)	x	kilowatt usage per hour (19.7w/1000*)	x	365 days =	\$4.31
Hours of non-use (18)	x	kilowatt cost (\$0.10)	x	kilowatt usage per hour (.63w/1000*)	x	365 days =	\$0.41
Total hours (24)						Total cost per year	\$4.72

\*To convert watts to kilowatts, divide watts by 1000.

## DIMENSIONS Inches (mm)



Note: For use with boxes deeper than 1.5" with internal AC/MC clamps.

**HUBBELL®**  
Electrical Systems

[www.hubbellonline.com/wiring](http://www.hubbellonline.com/wiring)



Hubbell Canada LP • Electrical Systems • 870 Brock Road South • Pickering, ON L1W 1Z8 • Phone (905) 839-1138 • FAX (905) 839-9108  
Printed in Canada. Specifications subject to change without notice.

H3064 3/2013