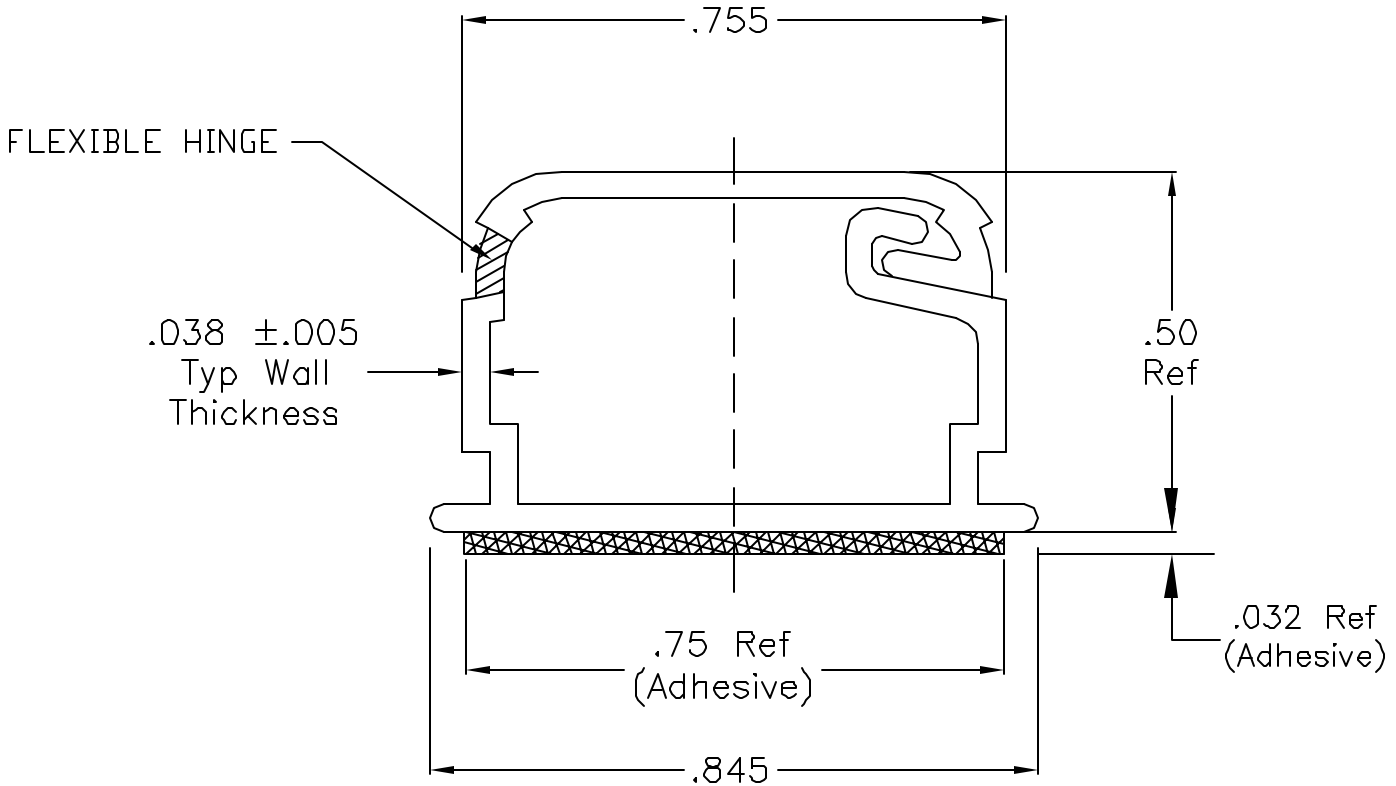


ALL RIGHTS RESERVED. NO PORTION OF THIS PUBLICATION, WHETHER IN WHOLE OR IN PART CAN BE REPRODUCED WITHOUT THE EXPRESS WRITTEN CONSENT OF SPC TECHNOLOGY.

REVISIONS			DOC. NO. SPC-F004 * Effective: 12/21/98 * DCP No: 680					
DCP #	REV	DESCRIPTION	DRAWN	DATE	CHECKD	DATE	APPRVD	DATE
808	A	RELEASED	JWM	1/7/00	JC	2/18/00	DJC	2/28/00



**NOTES:**

1. Length: 72.00 ± .125
2. Material: PVC
3. Color: White
4. Rated: UL94V-0

SPC-F004-DWG

**DISCLAIMER:**  
ALL STATEMENTS AND TECHNICAL INFORMATION CONTAINED HEREIN ARE BASED UPON INFORMATION AND/OR TESTS WE BELIEVE TO BE ACCURATE AND RELIABLE. SINCE CONDITIONS OF USE ARE BEYOND OUR CONTROL, THE USER SHALL DETERMINE THE SUITABILITY OF THE PRODUCT FOR THE INTENDED USE AND ASSUME ALL RISK AND LIABILITY WHATSOEVER IN CONNECTION THEREWITH.



**SPC TECHNOLOGY**

DRAWN BY: Jeff McVicker		DATE: 1/7/00	DRAWING TITLE: <b>3/4" Surface Raceway</b>			
CHECKED BY: JOHN COLE		DATE: 2/18/00	SIZE <b>A</b>	DWG. NO. <b>8443-0446</b>	ELECTRONIC FILE <b>16N2378.dwg</b>	REV <b>A</b>
APPROVED BY: Daniel Carey		DATE: 2/28/00	SCALE: NTS		U.O.M.: INCHES [mm]	SHEET: 1 OF 1

Tolerances Unless  
Otherwise Specified  
.X ± .03  
.XX ± .01  
.XXX ± .015