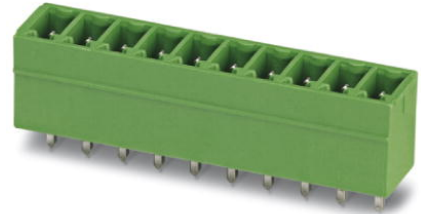


MCV 1,5/12-G-3,5


Order No.: 1843703

The figure shows a 10-position version of the product

<http://eshop.phoenixcontact.co.uk/phoenix/treeViewClick.do?UID=1843703>

Header, Nominal current: 8 A, Rated voltage (III/2): 160 V, Number of positions: 12, Pitch: 3.5 mm, Color: green, Contact surface: Tin, Assembly: Soldering

Commercial data

EAN	 4 017918 112851
Pack	50
Customs tariff	85366990
Gross weight in pieces	3.10 g
Country of Origin	DE
Catalog page information	Page 226 (CAT-1-2013)

Product notes

WEEE/RoHS-compliant since:
01/01/2003

Please note that the data given here has been taken from the online catalog. For comprehensive information and data, please refer to the user documentation at <http://www.download.phoenixcontact.com>. The General Terms and Conditions of Use apply to Internet downloads.

Technical data

Dimensions / positions

Length	7.25 mm
Pitch	3.5 mm
Dimension a	38.5 mm
Number of positions	12
Pin dimensions	0,8 x 0,8 mm

Hole diameter	1.2 mm
Technical data	
Range of articles	MCV 1,5/..-G
Insulating material group	IIIa
Rated surge voltage (III/3)	2.5 kV
Rated surge voltage (III/2)	2.5 kV
Rated surge voltage (II/2)	2.5 kV
Rated voltage (III/2)	160 V
Rated voltage (II/2)	250 V
Connection in acc. with standard	EN-VDE
Nominal current I_N	8 A
Nominal voltage U_N	160 V
Maximum load current	8 A
Insulating material	PBT
Inflammability class according to UL 94	V0
Color	green
Nominal voltage, UL/CUL Use Group B	300 V
Nominal current, UL/CUL Use Group B	8 A
Nominal voltage, UL/CUL Use Group D	300 V
Nominal current, UL/CUL Use Group D	8 A

Certificates



Certification

CSA, cULus Recognized, GOST, VDE Gutachten mit
Fertigungsüberwachung, CCA, IEC CB Scheme

Certifications applied for:

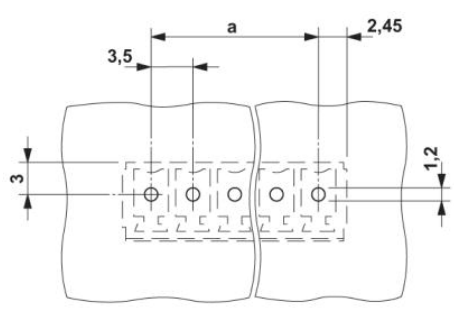
Certification Ex:

Accessories

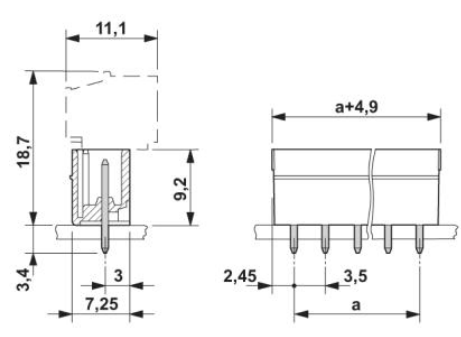
Item	Designation	Description
Marking		
1051993	B-STIFT	Marker pen, for manual labeling of unprinted Zack strips, smear-proof and waterproof, line thickness 0.5 mm
0804073	SK 3,5/2,8:FORTL.ZAHLEN	Marker cards, Card, white, labeled, Horizontal: Consecutive numbers 1 - 10, 11 - 20, etc. up to 91 - 99, Mounting type: Adhesive, For terminal block width: 3.5 mm
0805030	SK 3,5/2,8:SO	Marker cards, white, Mounting type: Adhesive, For terminal block width: 3.5 mm
0803883	SK U/2,8 WH:UNBEDRUCKT	Marker cards, Sheet, white, Unlabeled, Can be labeled with: Plotter, Office-Drucksysteme, Mounting type: Adhesive
Plug/Adapter		
1734634	CP-MSTB	Coding profile, is inserted into the slot on the plug or inverted header, red insulating material

Drawings

Drilling plan/solder pad geometry



Dimensioned drawing



Address

PHOENIX CONTACT Ltd
Halesfield 13
Telford / Shropshire / TF7 4PG,England
Phone 01952 681 700
Fax 01952 681 799
<http://www.phoenixcontact.co.uk>



Phoenix Contact Ltd.
Technical modifications reserved;