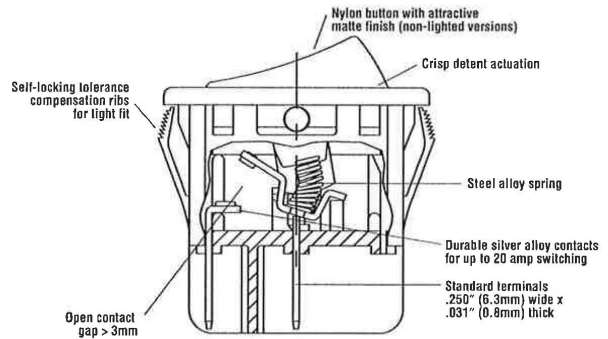


# Double-Pole Rocker Switch YR Series



## Features

- High current rating to 20 amps
- Lighted and non-lighted
- Maintained action and momentary
- Mechanical life: min. 50,000 operations

Electrical Ratings				
Switch Series	EN61058 Rating	UL1054 Rating	Electrical Life at Rated Load	
			According to VDE (Min. Operations)	According to UL (Min. Operations)
YRM	16(4)A 250V ~ T125/55 16(8)A 250V ~ T125/55	20A, 125VAC; 16A 125/250VAC; ¼ HP 125/250VAC	10,000	6,000

Electrical Specifications		Material Specifications	
<b>Ratings:</b>	20A 125VAC; 16A 125/250VAC, ¼ HP 125/250VAC cULus 16(4)A 250V ~ T125/55 VDE 16(8)A 250V ~ T125/55 VDE	<b>Actuator (non-lighted):</b>	Nylon 66 94V-2
<b>Dielectric Strength:</b>	1000VAC for 1 minute	<b>(lighted):</b>	Polycarbonate
<b>Insulation Resistance:</b>	10 <sup>8</sup> ohms min at 500VDC	<b>Base:</b>	Nylon 66 94V-2
<b>Initial Contact Resistance:</b>	0.020 ohms max	<b>Spring:</b>	Steel Wire
<b>Temperature Range:</b>	0°C to + 85°C UL	<b>Contacts:</b>	Silver Alloy
		<b>Movable Arm:</b>	Silver-Plated Copper Alloy
		<b>Terminals:</b>	Tin-Plated Copper Alloy

RoHS Compliant  
 UL File No: E23301

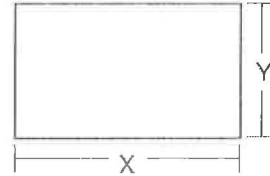
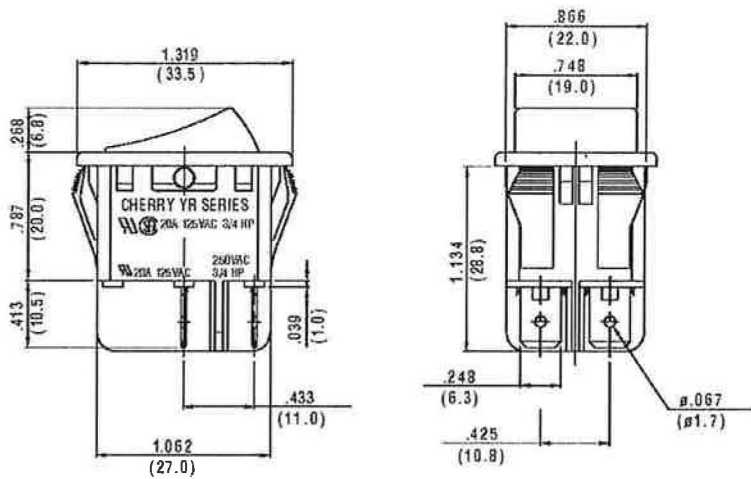


Specifications subject to change without notice.



# Double-Pole Rocker Switch YR Series

Dimensions inches (mm)



Z = Panel Thickness

## Recommended Panel Cut-Out Dimensions

Dim. Z	Dim. X	Dim. Y
0.030 to 0.049 (0.75 to 1.25)	1.181 (30.00)	0.866 (22.0)
0.049 to 0.079 (1.25 to 2.00)	1.189 (30.2)	0.866 (22.0)
0.079 to 0.118 (2.00 to 3.00)	1.201 (30.5)	0.866 (22.0)

## Ordering Information

Code	Contact Rating
M	16A 125/250VAC 3/4 HP 20A 125VAC cULus 16(4) A 250V ~ T125/65 VDE 16(8) A 250V ~ T125/65 VDE

Note: 10(2)A 250V~ 50E3 T125 special order

Code	Switch Function
2	On - Off
3	On - On
5	(On) - Off
6	(On) - On

Code	Terminal type inches (mm)
A	0.189" (4.8) QC
F	0.250" (6.3) QC

Code	Actuator Type
2	Curve

Code	Actuator Marking
B	Blank
C	⊖ ⊕
D	⊖ ⊕ ⊕
E	⊖ ⊕ ⊕ ⊕
F	⊖ ⊕ ⊕ ⊕ ⊕

Code	Housing Color
B	Black
W	White
Y	Grey

Code	Actuator Color
A	Amber
B	Black
G	Green
R	Red
U	Blue
W	White
Y	Grey

Code	Lighted
N	Non-Lighted
L	Lighted (Bulb 125VAC)
E	Lighted (Bulb 250VAC)
F	Lighted 5VDC Incandescent
G	Lighted 6VDC Incandescent
H	Lighted 12VDC Incandescent

Code	Splashproof
N	No Rocker Boot

Rocker boot sold separately: P/N 0015-0646

## Examples of Common Part Numbers and Descriptions inches (mm)

Part Number	Circuitry	Switch Function	Terminal Type	Actuator/Housing Color	Legend Marking
YRM32F2FBBNN		On - Off	0.250 (6.3) Quick-Connect	Black/Black	
YRM33F2BBBNN		On - On	0.250 (6.3) Quick-Connect	Black/Black	
YRM32F2BBRLN		On - Off/Lighted	0.250 (6.3) Quick-Connect	Red/Black	

## Contact

Call, fax or visit our Website for more information.

**ZF Electronics Corporation**  
11200 88th Avenue  
Pleasant Prairie, WI 53158

Phone: 262.942.6500  
Web: [www.cherrycorp.com](http://www.cherrycorp.com)  
Email: [cep\\_sales@zf.com](mailto:cep_sales@zf.com)  
Fax: 262.942.6566

The manufacturer accepts no liability for errors or non-availability, and reserves the right to change specifications without prior notice.

Technical data relates to product specifications only. Features may differ from those described. Only drawings combined with product specifications shall be deemed binding.

© 2007 ZF Electronics Corporation

Last Updated: 10/01/12

