



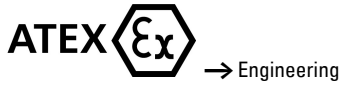
Emergency stop button non-illumin.



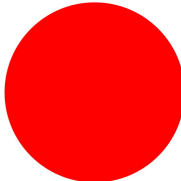


Powering Business Worldwide™

Part no.
Article no.

M22-PV
216876



Program

Range			RMQ-Titan (drilling dimensions 22.5 mm)
Basic function			Emergency stop buttons
Description			Pull to release
Construction type			Mushroom-shaped
Diameter		mm	38
Colour mushroom head			Red
Colour mushroom head			
Illumination			Without illumination
RAL Value			RAL 3000
Front ring			Bezel: Silver
Connection to SmartWire-DT			yes
Instructions			Release by pulling
Notes	 		

Approbationen

UL approval	Yes
CSA approval	Yes
Product Standards	IEC/EN 60947-5; UL 508; CSA-C22.2 No. 14-05; CSA-C22.2 No. 94-91; CE marking
UL File No.	E29184
UL CCN	NKCR
CSA File No.	012528
CSA Class No.	3211-03
NA Certification	UL listed, CSA certified
Degree of Protection	UL/CSA Type 3R, 4X, 12, 13

General

Standards			IEC/EN 60947 VDE 0660
Lifespan, mechanical	Operations	x 10 ⁶	> 0.1

Operating frequency	Operations/h		$\frac{1}{600}$
Actuating force		n	50
Protection type			IP66, IP69K
Climatic proofing			Damp heat, constant to IEC 60068-2-78 Damp heat, cyclic to IEC 60068-2-30
Ambient temperature		°C	
Open		°C	- 25 - + 70
Mounting position			As required
Mechanical shock resistance		g	50 Shock duration 11 ms Sinusoidal according to IEC 60068-2-27

Technical data according to ETIM 4.0

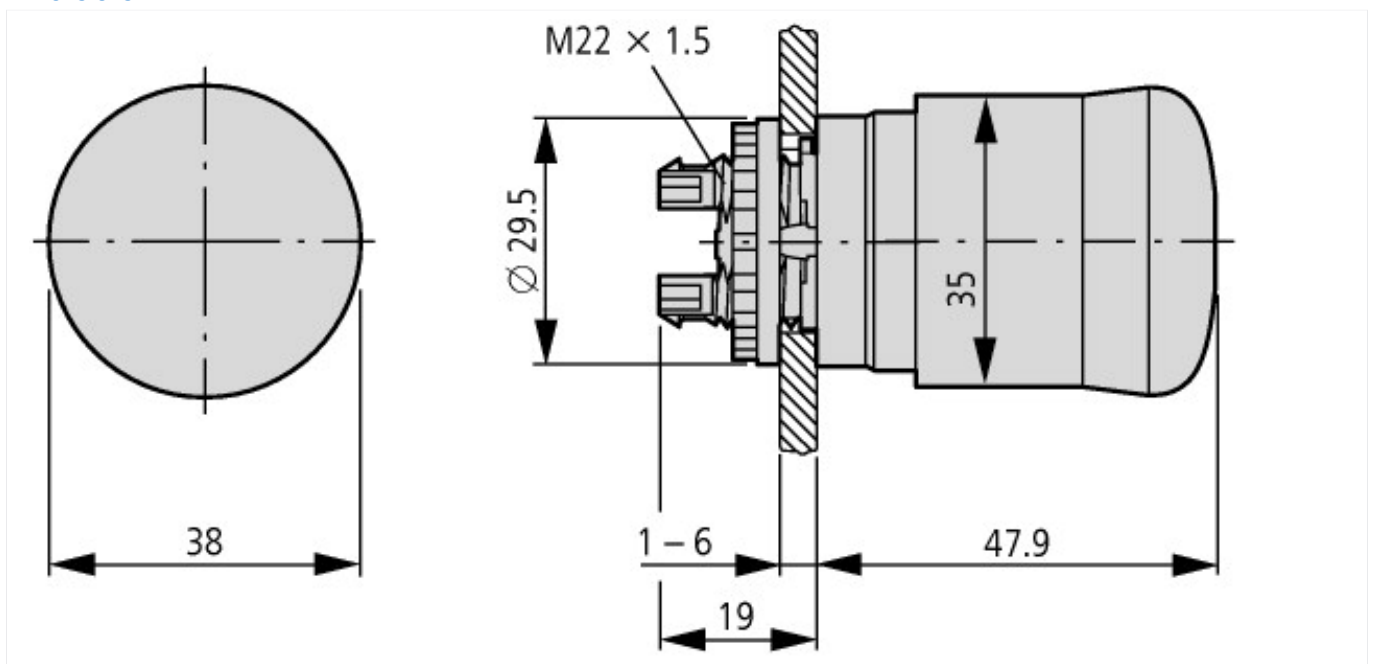
With bezel			No
Unlocking method			Pull release
Lens design			Round
Suitable for illumination			No
Hole diameter		mm	22
Suitable for emergency switching off			YES
Color button			red
Color bezel			Chrome
Width of opening		mm	22
Height meter opening		mm	6
Protection type (IP)			IP66
Material front ring			Insulated material
Diameter cap		mm	38
Momentary			No
Switching function latching			YES
Design of button			flush

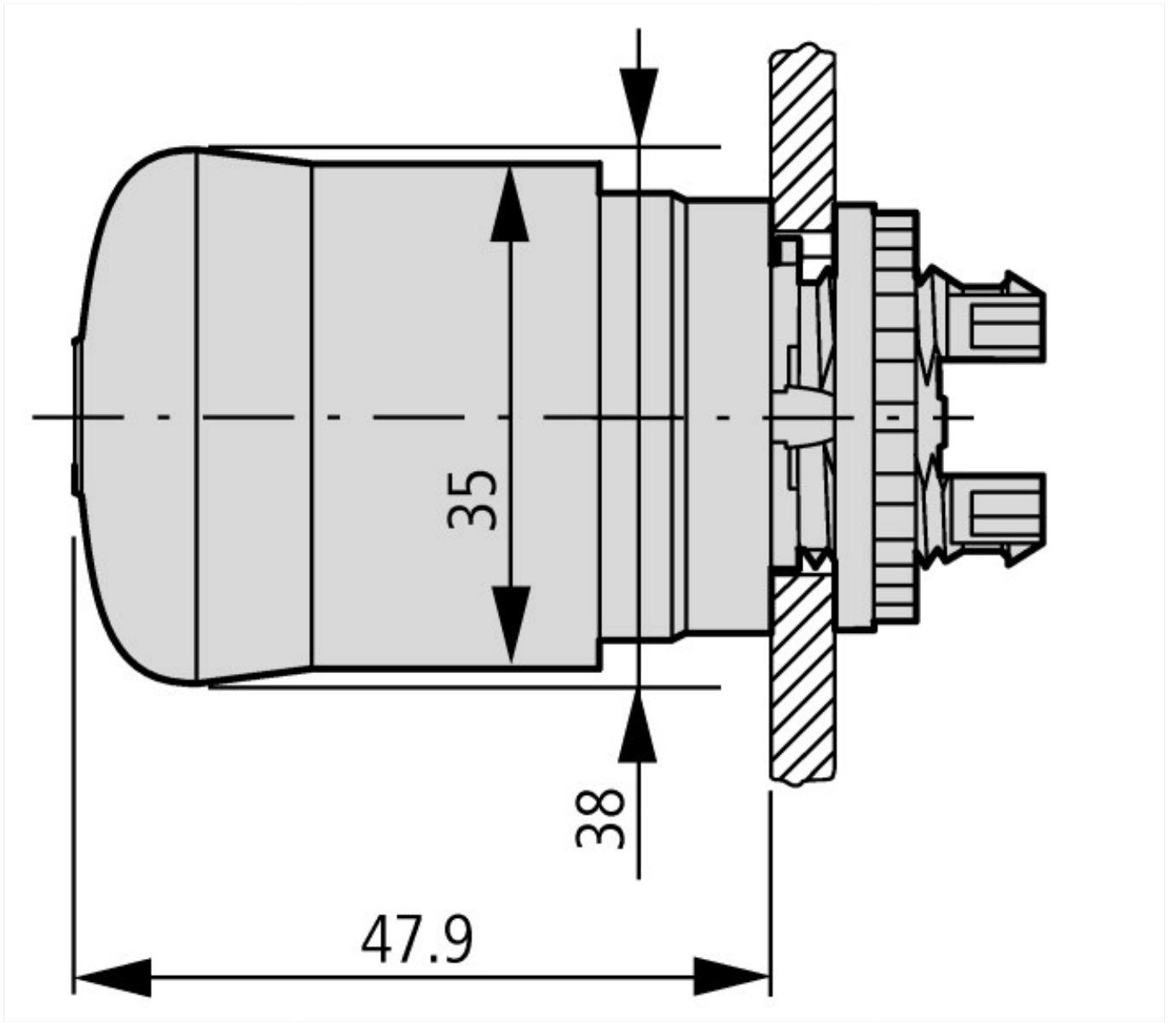
CAD-Data

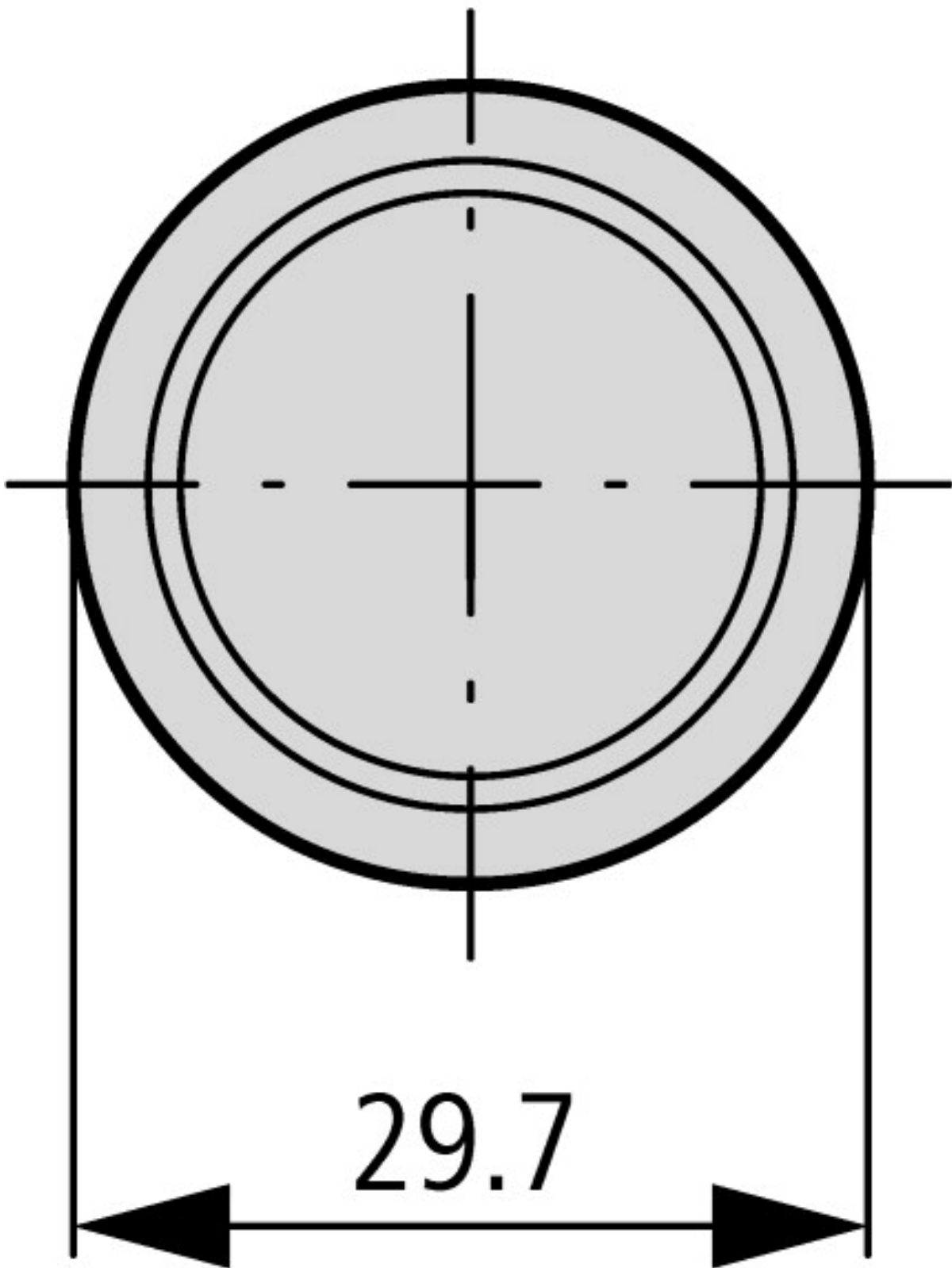
Product standards CAD data:

<http://eaton-moeller.partcommunity.com>

Dimensions







Additional product information (links)

IL04716002Z (AWA1160-1745) RMQ-Titan System Engineering	ftp://ftp.moeller.net/DOCUMENTATION/AWA_INSTRUCTIONS/IL04716002Z2011_03.pdf
Key to part numbers Engineering	ftp://ftp.moeller.net/DOCUMENTATION/PDF/GB/TYPENSCHLUESSEL_RMQ-TITAN_de.pdf ftp://ftp.moeller.net/DOCUMENTATION/PDF/GB/PRO_RMQTitan_D_de.pdf
Ordering example for custom complete units	ftp://ftp.moeller.net/DOCUMENTATION/PDF/GB/Bestellbeispiel_F0315_COMBINATION_de.pdf
Order form for custom complete units	ftp://ftp.moeller.net/DOCUMENTATION/PDF/GB/Form_F0315_Combination_de.pdf



Emerg.stop label

Part no.

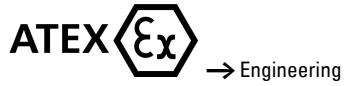
M22-XAK

Article no.

216464



Powering Business Worldwide™



Program

Approbationen

UL approval	N
CSA approval	N

Technical data according to ETIM 4.0

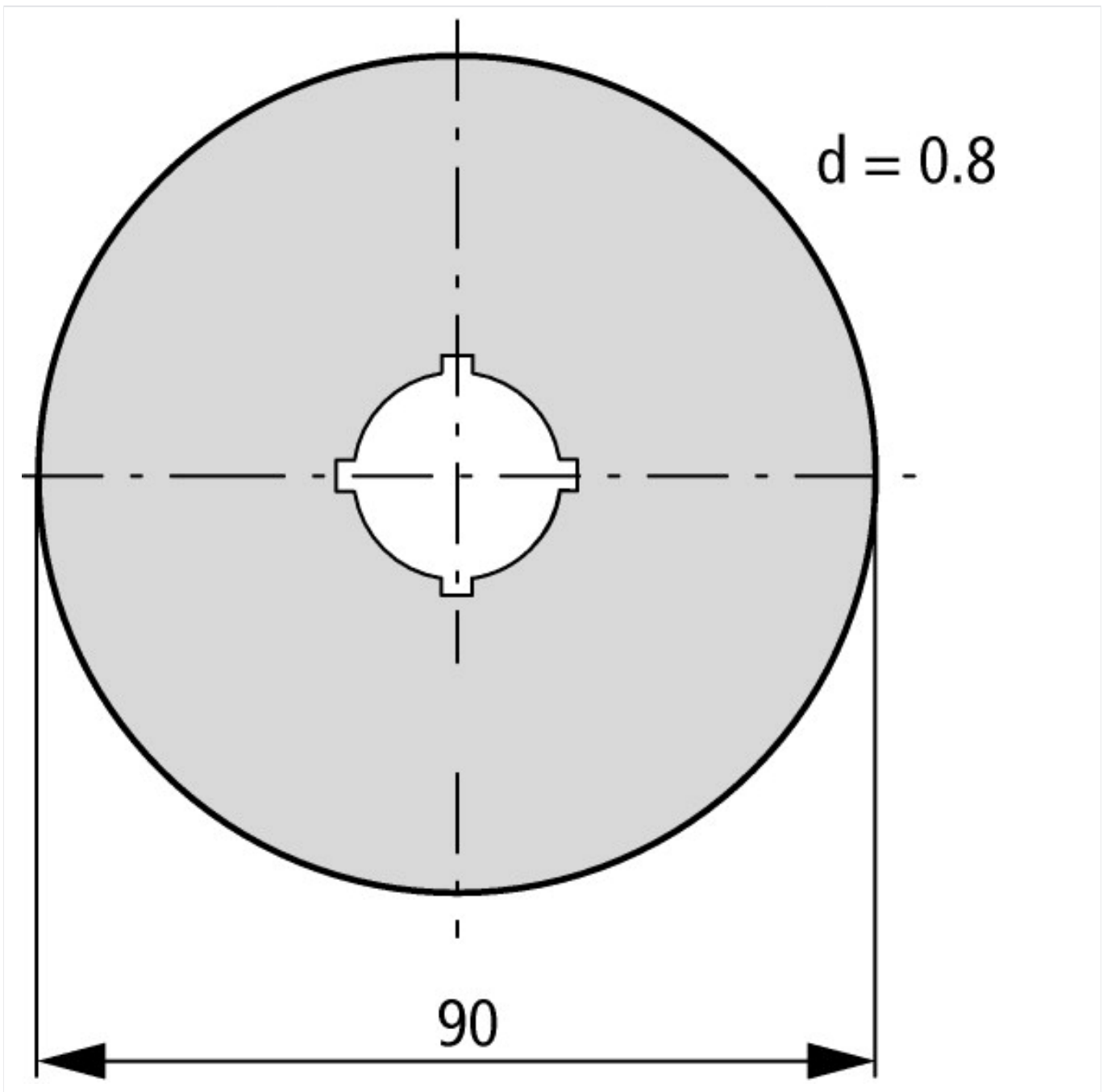
Height			90
External diameter		mm	90
Width		mm	90
ISO symbol inscription			Without imprint
Form			Round
Inscription			Without imprint
Color			yellow

CAD-Data

Product standards CAD data:

<http://eaton-moeller.partcommunity.com>

Dimensions



Additional product information (links)

IL04716002Z (AWA1160-1745) RMQ-Titan System	ftp://ftp.moeller.net/DOCUMENTATION/AWA_INSTRUCTIONS/IL04716002Z2011_03.pdf
Engineering	
Key to part numbers	ftp://ftp.moeller.net/DOCUMENTATION/PDF/GB/TYPENSCHLUESSEL_RMQ-TITAN_de.pdf
Engineering	ftp://ftp.moeller.net/DOCUMENTATION/PDF/GB/PRO_RMQTitan_D_de.pdf
Ordering example for custom complete units	ftp://ftp.moeller.net/DOCUMENTATION/PDF/GB/Bestellbeispiel_F0315_COMBINATION_de.pdf
Order form for custom complete units	ftp://ftp.moeller.net/DOCUMENTATION/PDF/GB/FORM_F0315_Combination_de.pdf



Fixing adapter

Part no. **M22-A**

Article no. **216374**



Powering Business Worldwide™

Program

Range			RMQ-Titan (drilling dimensions 22.5 mm) SWD RMQ connections			
Basic function			Accessories Fixing adapters			
Subrange			Accessories RMQ			
Accessories			Fixing adapters			
Single unit/Complete unit			Single unit			
Function			Mounting clamp (front mounting) for 3-contact LED elements			
Fixing			Front fixing			
Description			for 1 function element M22-SWD-K... or LED element M22-SWD-LED... in addition 1 or 2 contact elements M22-K.. possible Sequence numbers on fixing adapter			
For use with			Contact elements M22-(C)K... LED elements M22-(C)LED...			
For use with			M22-SWD-K... M22-SWD-LED...			
Configuration			<table border="1" style="display: inline-table;"> <tr> <td>1 / 4</td> <td>3 / 6</td> <td>2 / 5</td> </tr> </table>	1 / 4	3 / 6	2 / 5
1 / 4	3 / 6	2 / 5				
Protection type			IP20			
Front ring			Front ring: titanium			
Connection to SmartWire-DT			yes			

Approbationen

UL approval	N
CSA approval	N
Product Standards	IEC/EN 60947-5; UL 508; CSA-C22.2 No. 14-05; CSA-C22.2 No. 94-91; CE marking
UL File No.	E29184
UL CCN	NKCR
CSA File No.	012528
CSA Class No.	3211-03
NA Certification	UL listed, CSA certified

General

Standards			IEC/EN 60947 VDE 0660
Lifespan, mechanical	Operations	x 10 ⁶	> 5
Operating frequency	Operations/ h		≅ 3600
Operating torque (screw terminals)		Nm	≅ 0.8
Protection type			IP20
Climatic proofing			Damp heat, constant to IEC 60068-2-78 Damp heat, cyclic to IEC 60068-2-30
Ambient temperature		°C	
Open		°C	- 25 - + 70
Mounting position			As required
Terminal capacities		mm ²	
Solid		mm ²	0.75 - 2.5
Stranded		mm ²	0.5 - 2.5

Contacts

Rated impulse withstand voltage	U _{imp}	V AC	6000
Rated insulation voltage	U _i	V	500

Overvoltage category/pollution degree			III/3
Control circuit reliability			
at 24 V DC/5 mA	H _F	Fault probability	< 10 ⁻⁷ , < 1 fault in 10 ⁷ operations
at 5 V DC/1 mA	H _F	Fault probability	< 5 x 10 ⁻⁶ , < 1 failure in 5 x 10 ⁶ operations
Max. short-circuit protective device			
Fuseless		Type	PKZM0-10/FAZ-B6/1
Fuse	gG/gL	A	10

Switching capacity

Rated operational current	I _e	A	
AC-15			
115 V	I _e	A	6
230 V	I _e	A	6
400 V	I _e	A	4
500 V	I _e	A	2
DC-13			
24 V	I _e	A	3
42 V	I _e	A	1.7
60 V	I _e	A	1.2
110 V	I _e	A	0.8
220 V	I _e	A	0.3
Lifespan, electrical			
AC-15			
230 V/0.5 A	Operations	x 10 ⁶	1.6
230 V/1.0 A	Operations	x 10 ⁶	1
230 V/3.0 A	Operations	x 10 ⁶	0.7
DV-13			
12 V/2.8 A	Operations	x 10 ⁶	1.2
			Contact element

General

Standards			IEC/EN 60947 VDE 0660
Mounting position			As required

Ambient conditions, mechanical

Protection type (IEC/EN 60529, EN50178, VBG 4)			IP20
--	--	--	------

Climatic environmental conditions

Operating ambient temperature (IEC 60068-2)		°C	
Max. ambient temperature		°C	+70

Function element

Fixing			Front fixing
Indoor and protected outdoor installation			

Technical data according to ETIM 4.0

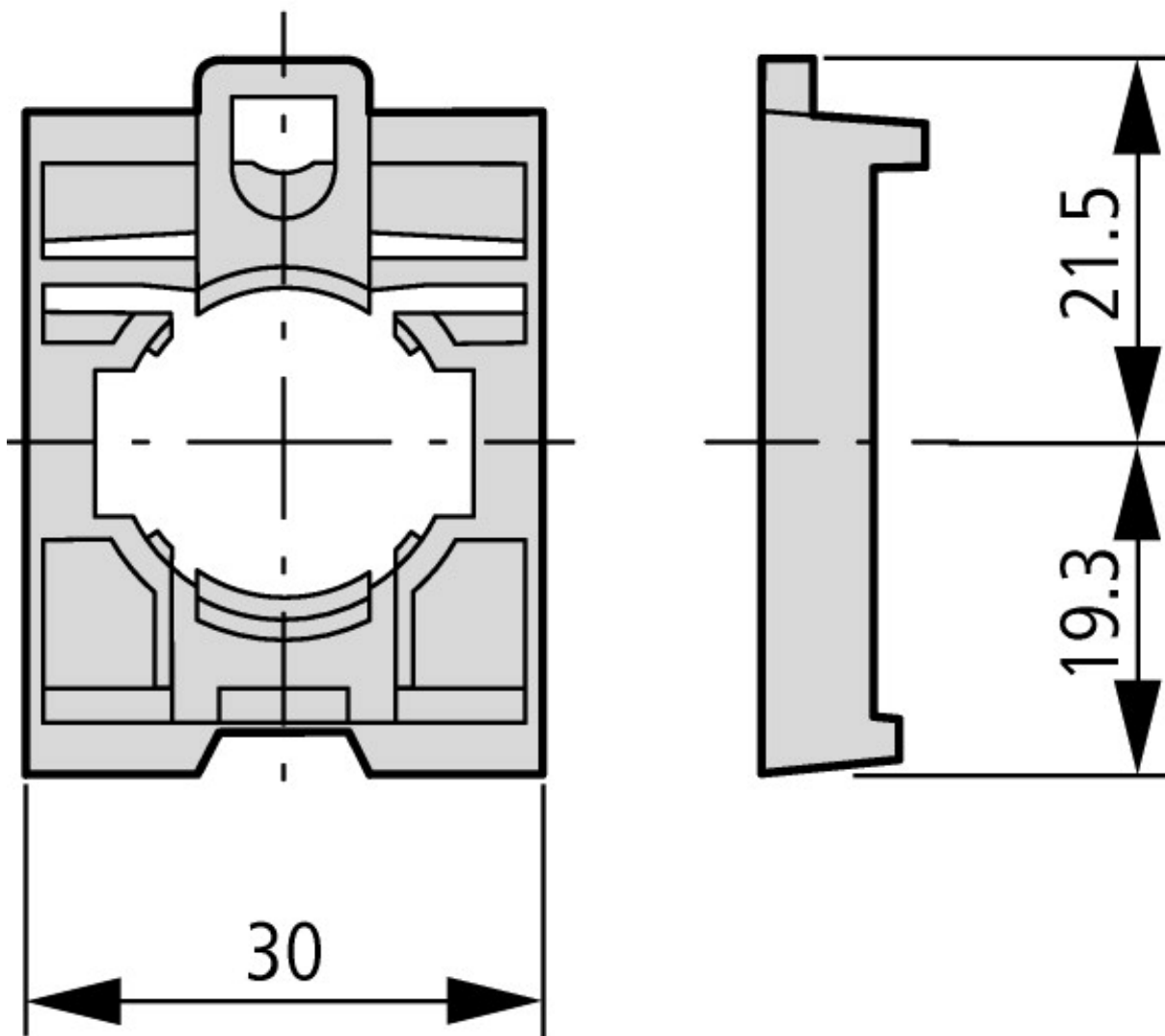
Mounting diameter		mm	22
Number of installable devices			6

CAD-Data

Product standards CAD data:

<http://eaton-moeller.partcommunity.com>

Dimensions



Fixing adapters
Fixing adapter (front mount) for 3-contacts-/LED elements

Additional product information (links)

IL04716004Z (AWA1160-2511)	ftp://ftp.moeller.net/DOCUMENTATION/AWA_INSTRUCTIONS/IL04716004Z2010_10.pdf
MN05006002Z (AWB2723-1617), SWD accessories - italiano	ftp://ftp.moeller.net/DOCUMENTATION/AWB_MANUALS/MN05006002Z_IT.pdf
MN05006002Z (AWB2723-1617), SWD accessories - English	ftp://ftp.moeller.net/DOCUMENTATION/AWB_MANUALS/MN05006002Z_EN.pdf
MN05006002Z (AWB2723-1617), SWD accessories - Deutsch	ftp://ftp.moeller.net/DOCUMENTATION/AWB_MANUALS/MN05006002Z_DE.pdf
Engineering	
Key to part numbers	ftp://ftp.moeller.net/DOCUMENTATION/PDF/GB/TYPENSCHLUESSEL_RM-Q-TITAN_de.pdf
Engineering	ftp://ftp.moeller.net/DOCUMENTATION/PDF/GB/PRO_RMQTitan_D_de.pdf
Ordering example for custom complete units	ftp://ftp.moeller.net/DOCUMENTATION/PDF/GB/Bestellbeispiel_F0315_COMBINATION_de.pdf
Order form for custom complete units	ftp://ftp.moeller.net/DOCUMENTATION/PDF/GB/Form_F0315_Combination_de.pdf