


U.I. Lapp GmbH	PRODUCT INFORMATION	
	SKINTOP® ST	12.09.2012

Various accessories (e.g. multiple sealing inserts)
 High oil-resistance for maximum reliability
 Permanent vibration protection
 Optimum strain relief
 Wide, variable clamping ranges



Application range

Used in areas where cables and wires need to be safely inserted into housings
 Machine and equipment manufacturing
 Photovoltaic
 Automation technology

Design

PG connection thread

Approvals (Norm references)

UL File Nr. E79903

Note

Refer to SKINTOP® PG accessories for suitable accessories
 Counter nut to be used: SKINTOP® GMP-GL

Remark

Photographs are not to scale and do not represent detailed images of the respective products.

Technical Data

Caution:	Refer to Appendix T21 for the installation dimensions and torques
Colour delivered:	Silver grey (RAL 7001) Light grey (RAL 7035) Black (RAL 9005), UV-resistant
Material:	Body: Polyamide Seal: CR
Tests:	GGVS: TÜ.EGG.020-95
Protection rating:	Outdoors
Temperature range:	-20°C to +80°C



Product Management	Document: LAPP_PRO1066EN.pdf	1 / 4
--------------------	------------------------------	-------

SKINTOP® ST

12.09.2012


Part number	Article designation / size	Clamping range ØF (mm)	SW (mm)	Overall length/ C (mm)	Thread length inner mm	Pieces / PU
SKINTOP® ST silver grey						
53015000	ST 7	2,5 - 6,5	15	32.0	8.0	100
53015010	ST 9	3,5 - 8	19	36.0	8.0	100
53015020	ST 11	4 - 10	22	38.0	8.0	100
53015030	ST 13,5	6 - 12	24	41.0	9.0	100
53015040	ST 16	9 - 14	27	44.0	10.0	50
53015050	ST 21	13 - 18	33	49.0	11.0	50
53015060	ST 29	14 - 25	42	56.0	11.0	25
53015070	ST 36	24 - 32	53	66.0	13.0	10
53015080	ST 42	35 - 38	60	68.0	13.0	5
53015090	ST 48	39 - 44	65	69.0	14.0	5
SKINTOP® ST black						
53015200	ST 7	2,5 - 6,5	15	32.0	8.0	100
53015210	ST 9	3,5 - 8	19	36.0	8.0	100
53015220	ST 11	4 - 10	22	38.0	8.0	100
53015230	ST 13,5	6 - 12	24	41.0	9.0	100
53015240	ST 16	9 - 14	27	44.0	10.0	50
53015250	ST 21	13 - 18	33	49.0	11.0	50
53015260	ST 29	14 - 25	42	56.0	11.0	25
53015270	ST 36	24 - 32	53	66.0	13.0	10
53015280	ST 42	35 - 38	60	68.0	13.0	5
53015290	ST 48	39 - 44	65	69.0	14.0	5
SKINTOP® ST light grey						
53018000	ST 7	2,5 - 6,5	15	32.0	8.0	100
53018010	ST 9	3,5 - 8	19	36.0	8.0	100
53018020	ST 11	4 - 10	22	38.0	8.0	100
53018030	ST 13,5	6 - 12	24	41.0	9.0	100
53018040	ST 16	9 - 14	27	44.0	10.0	50
53018050	ST 21	13 - 18	33	49.0	11.0	50
53018060	ST 29	14 - 25	42	56.0	11.0	25
53018070	ST 36	24 - 32	53	66.0	13.0	10

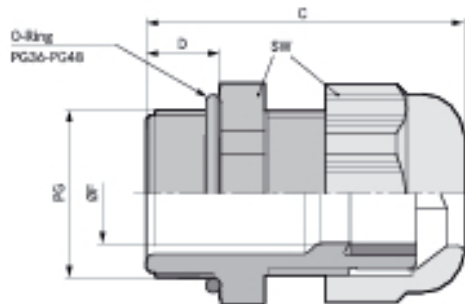


SKINTOP® ST

12.09.2012

Part number	Article designation / size	Clamping range ØF (mm)	SW (mm)	Overall length/ C (mm)	Thread length inner mm	Pieces / PU
53018080	ST 42	35 - 38	60	68.0	13.0	5
53018090	ST 48	39 - 44	65	69.0	14.0	5

U.I. Lapp GmbH	PRODUCT INFORMATION	 LAPP GROUP
SKINTOP® ST		12.09.2012



Product Management	Document: LAPP_PRO1066EN.pdf	4 / 4
--------------------	------------------------------	-------