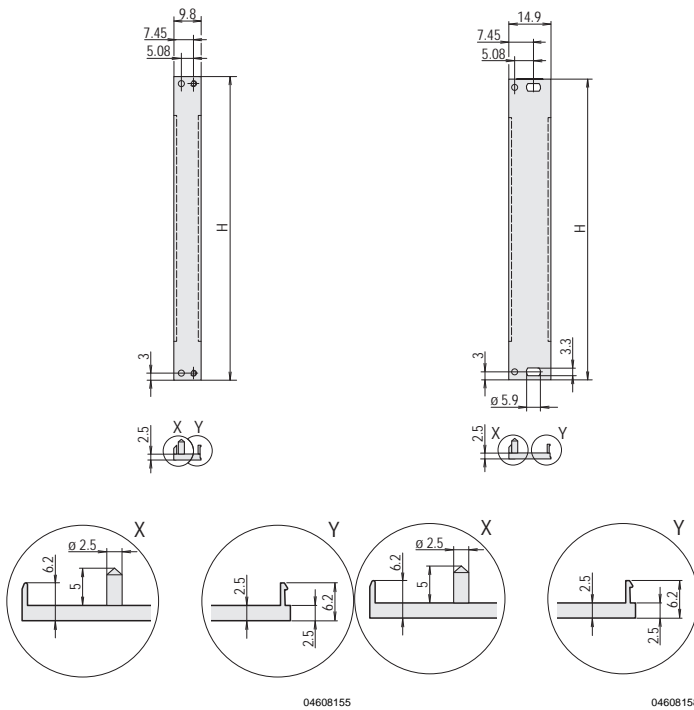


Front panels

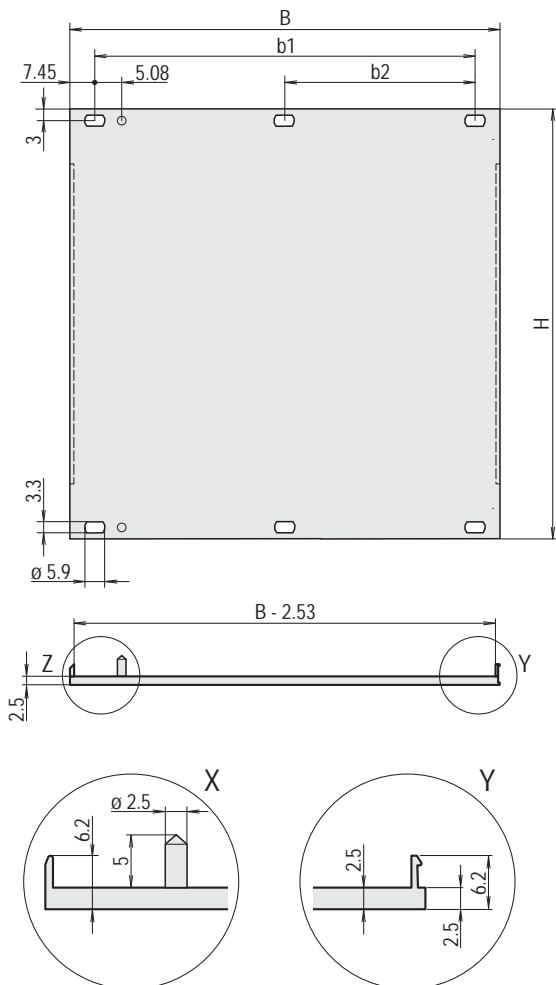
Front panels, U profile, shieldable

2 HP

3 U



> 3 HP



- High stability through U profile
- Front panel, U profile, Al, front anodised, rear conductive, 2 alignment pins pressed-in, stainless steel
- Differences in the finish between 2 ... 12 HP and 14 ... 84 HP

Order Information

| Height H | Width B | b1 | b2 | Align- | Qty | Part no. | | |
|----------|---------|----|-------|--------|-------|----------|-------------------------|-----------|
| U mm | HP | mm | mm | ment | | | | |
| | | | | pin | | | | |
| 2 | 84 | 84 | 426.4 | 411.5 | 203.2 | - | 1 (SPQ 5) ¹⁾ | 20848-262 |
| 3 | 128.4 | 2 | 9.8 | - | - | x | 1 (SPQ 5) ¹⁾ | 30849-001 |
| 3 | 128.4 | 3 | 14.9 | - | - | x | 1 (SPQ 5) ¹⁾ | 30849-004 |
| 3 | 128.4 | 4 | 20 | - | - | x | 1 (SPQ 5) ¹⁾ | 30848-354 |
| 3 | 128.4 | 5 | 25 | - | - | x | 1 (SPQ 5) ¹⁾ | 30848-378 |
| 3 | 128.4 | 6 | 30.1 | - | - | x | 1 (SPQ 5) ¹⁾ | 30848-380 |
| 3 | 128.4 | 7 | 35.2 | - | - | x | 1 (SPQ 5) ¹⁾ | 30848-382 |
| 3 | 128.4 | 8 | 40.3 | 25.4 | - | x | 1 (SPQ 5) ¹⁾ | 30848-356 |
| 3 | 128.4 | 10 | 50.5 | 35.6 | - | x | 1 (SPQ 5) ¹⁾ | 30848-386 |
| 3 | 128.4 | 12 | 60.6 | 45.7 | - | x | 1 (SPQ 5) ¹⁾ | 30848-358 |
| 3 | 128.4 | 14 | 70.8 | 55.9 | - | x | 1 (SPQ 5) ¹⁾ | 20848-013 |
| 3 | 128.4 | 16 | 80.9 | 66 | - | x | 1 (SPQ 5) ¹⁾ | 20848-015 |
| 3 | 128.4 | 21 | 106.3 | 91.4 | - | x | 1 (SPQ 5) ¹⁾ | 20848-020 |
| 3 | 128.4 | 28 | 141.9 | 127 | - | x | 1 (SPQ 5) ¹⁾ | 20848-027 |
| 3 | 128.4 | 42 | 213 | 198.1 | 101.6 | x | 1 | 20848-047 |
| 3 | 128.4 | 63 | 319.7 | 304.8 | 157.5 | x | 1 | 20848-068 |
| 3 | 128.4 | 84 | 426.4 | 411.5 | 203.2 | - | 1 | 20848-097 |
| 4 | 172.9 | 84 | 426.4 | 411.5 | 203.2 | - | 1 | 20848-271 |
| 6 | 261.8 | 2 | 9.8 | - | - | x | 1 (SPQ 5) ¹⁾ | 30849-002 |
| 6 | 261.8 | 4 | 20 | - | - | x | 1 (SPQ 5) ¹⁾ | 30848-355 |
| 6 | 261.8 | 5 | 25 | - | - | x | 1 (SPQ 5) ¹⁾ | 30848-379 |
| 6 | 261.8 | 6 | 30.1 | - | - | x | 1 (SPQ 5) ¹⁾ | 30848-381 |
| 6 | 261.8 | 7 | 35.2 | - | - | x | 1 (SPQ 5) ¹⁾ | 30848-383 |
| 6 | 261.8 | 8 | 40.3 | 25.4 | - | x | 1 (SPQ 5) ¹⁾ | 30848-357 |
| 6 | 261.8 | 10 | 50.5 | 35.6 | - | x | 1 (SPQ 5) ¹⁾ | 30848-387 |
| 6 | 261.8 | 12 | 60.6 | 45.7 | - | x | 1 (SPQ 5) ¹⁾ | 30848-359 |
| 6 | 261.8 | 14 | 70.8 | 55.9 | - | x | 1 (SPQ 5) ¹⁾ | 20848-106 |
| 6 | 261.8 | 16 | 80.9 | 66 | - | x | 1 (SPQ 5) ¹⁾ | 20848-108 |
| 6 | 261.8 | 21 | 106.3 | 91.4 | - | x | 1 (SPQ 5) ¹⁾ | 20848-113 |
| 6 | 261.8 | 28 | 141.9 | 127 | - | x | 1 (SPQ 5) ¹⁾ | 20848-120 |
| 6 | 261.8 | 42 | 213 | 198.1 | 101.6 | x | 1 | 20848-139 |
| 6 | 261.8 | 63 | 319.7 | 304.8 | 157.5 | x | 1 | 20848-160 |
| 6 | 261.8 | 84 | 426.4 | 411.5 | 208.3 | - | 1 | 20848-189 |
| 9 | 395.1 | 84 | 426.4 | 411.5 | 203.2 | - | 1 | 20848-280 |

1) Delivery is exclusively made in Standard Pack Quantity (SPQ): Please order at least 5 pieces or a multiple. Pricing is per individual item.

Note

- Differences in finish between 2 ... 12 HP and 14 ... 84 HP
 - 2 ... 12 HP: one-part U-profile
 - 14 ... 84 HP: multi-part U-profile (front panel with crimped profiles)
- Please order fixing material (sleeves, collar screws) separately, see page 7.107
- Please order textile EMC gasket separately, see page 7.6