

2260(5560) - Series



Receptacle Housing

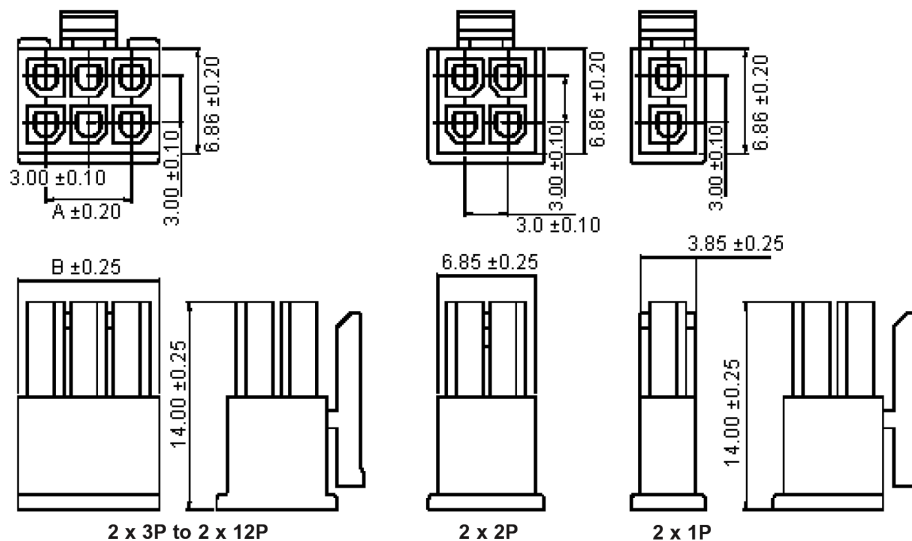


Specifications:

Current Rating	: 5A AC/DC
Voltage Rating	: 250V AC/DC
Maximum Contact Resistance	: 10mΩ
Minimum Insulation Resistance	: 1,000MΩ
Withstanding Voltage	: 1,500V AC/minute
Operating Temperature Range	: -25°C to +105°C

Material and Finish:

Insulator	: High Temperature Plastic (Nylon 66)
Contact	: Phosphor Bronze
Plating	: Tin Plated
Mating with	: 5560T Terminal



Dimensions : Millimetres

2260(5560) - Series

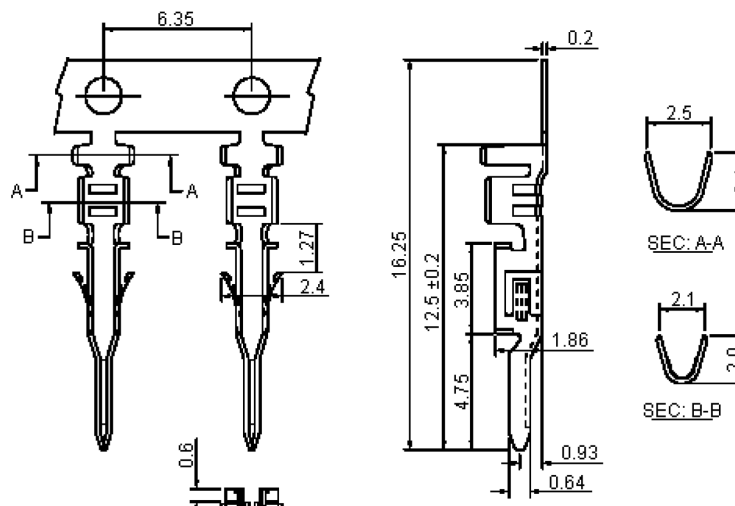


Accessories - Crimp Pin



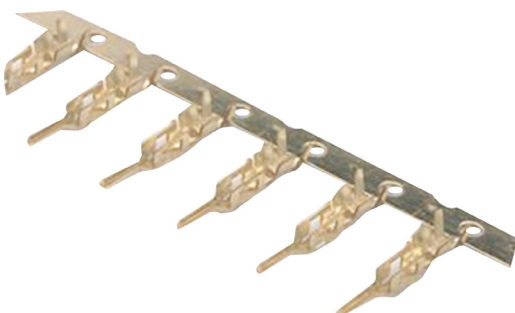
Specifications:

Material	: Phosphor Bronze
Thickness	: 0.2mm
Applicable Wire	: 20AWG to 24AWG
Plating	: Tin Plated



Dimensions : Millimetres

Accessories - Crimp Socket



Specifications:

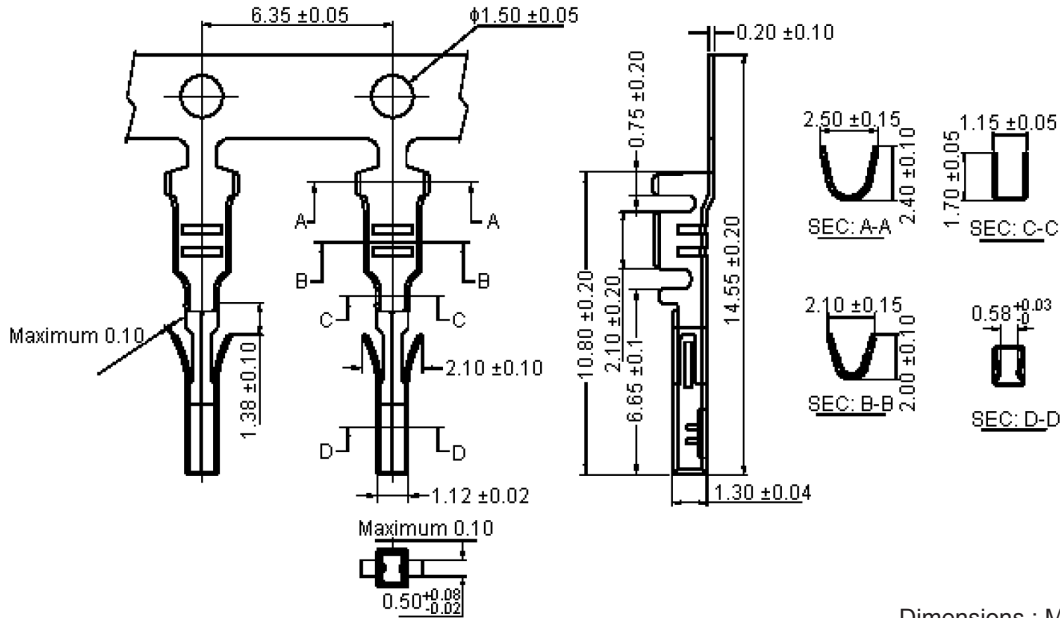
Current Rating	: 5A AC/DC
Voltage Rating	: 250V AC/DC
Maximum Contact Resistance	: 10mΩ
Wire Range	: 20AWG to 24AWG
Maximum Insulation O.D	: 1.85mm

Material and Finish:

Contact	: Phosphor Bronze
Plating	: Tin Plated



2260(5560) - Series



Dimensions : Millimetres

A	B	Part Number
-	3.85	2260(5560)-02
3	6.85	2260(5560)-04
6	9.85	2260(5560)-06
9	12.85	2260(5560)-08
12	15.85	2260(5560)-10
15	18.85	2260(5560)-12
18	21.85	2260(5560)-14
21	24.85	2260(5560)-16
24	27.85	2260(5560)-18
27	30.85	2260(5560)-20
-	-	2261(5561)T
-	-	2260(5560)T

Dimensions : Millimetres



2260(5560) - Series



Part Number Table

Type	Number of Position	Part Number
Receptacle Housing	2	2260(5560)-02
	4	2260(5560)-04
	6	2260(5560)-06
	8	2260(5560)-08
	10	2260(5560)-10
	12	2260(5560)-12
	14	2260(5560)-14
	16	2260(5560)-16
	18	2260(5560)-18
	20	2260(5560)-20
Crimp Pin	-	2261(5561)T
Crimp Socket	-	2260(5560)T

Important Notice : This data sheet and its contents (the "Information") belong to the members of the Premier Farnell group of companies (the "Group") or are licensed to it. No licence is granted for the use of it other than for information purposes in connection with the products to which it relates. No licence of any intellectual property rights is granted. The Information is subject to change without notice and replaces all data sheets previously supplied. The Information supplied is believed to be accurate but the Group assumes no responsibility for its accuracy or completeness, any error in or omission from it or for any use made of it. Users of this data sheet should check for themselves the Information and the suitability of the products for their purpose and not make any assumptions based on information included or omitted. Liability for loss or damage resulting from any reliance on the Information or use of it (including liability resulting from negligence or where the Group was aware of the possibility of such loss or damage arising) is excluded. This will not operate to limit or restrict the Group's liability for death or personal injury resulting from its negligence. Multicomp is the registered trademark of the Group. © Premier Farnell plc 2012.