

TiWi5

Multi-Standard Module

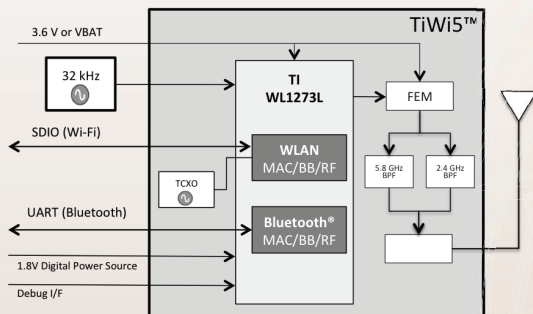
WLAN (802.11 a/b/g/n), Bluetooth®, Bluetooth Low Energy (BLE) and ANT

TiWi5 KEY FEATURES

- Texas Instruments WiLink™ 6.0 (WL1273L) transceiver
- 2.4 and 5.8 GHz operation
- Supports requirements for WiFi Protected Access (WPA and WPA2.0) and IEEE 802.11i
- Works with IEEE std 802.1x for VPN
- 802.11 a/b/g/n and Bluetooth® 2.1+EDR, 3.0, 4.0 (BLE), and ANT compliant
- Seamless integration with TI OMAP™ application processors

TiWi5 SPECIFICATIONS

- Dimensions: 13 mm x 18 mm x 1.9 mm
- Operating temperature: -40 to +85° C
- FCC / IC certified (pending)
- ETSI EN 300 328 and EN 301 489 tested (pending)
- 3.0 V to 4.8 V operation
- Power consumption:
 - 165 mA in transmit (65 Mbps OFDM(n))
 - 100 mA in receive
- SDIO and UART interfaces for WLAN and Bluetooth
- Off-module certified antenna options planned, including:
 - SMT chip
 - U.FL with dipole antenna



WLAN

- 802.11 a/b/g/n/e/i compliant
- Transmit Power: 12.5 dBm, 65 Mbps, OFDM (n)
- RF Sensitivity: -73 dBm, 10% PER, 65 Mbps

BLUETOOTH

- Bluetooth 1.1, 1.2, 2.0+EDR and 2.1+EDR 3.0 and 4.0 (BLE) and ANT compliant
- Output power Class 1.5
- RF Sensitivity: -92 dBm, GFSK

ALSO FROM LS RESEARCH

- Pre-certified antennas
- Custom antenna design services
- Full turnkey product development
- EMC certification and testing

Additional LS Research Information & Support

LSR Homepage
www.lsr.com

EMC Certification
www.lsr.com/certification_center

Product Development
www.lsr.com/design_services

RF Modules
www.lsr.com/products

Support Forum
<http://forum.lsr.com>

TiWi™ Wiki
<http://wiki.lsr.com>

Ordering Information

Part Number	Description
450-0053	TiWi5 RF Castellation Module
450-0053R	TiWi5 RF Castellation Module, T&R
001-0001	2.4 GHz Dipole Antenna
080-0001	u.fl to SMA Bulkhead cable

LS Research Authorized Distributors

Americas

Arrow Electronics
www.arrow.com

Avnet Electronics Marketing
www.avnetexpress.com

Digi-Key Corporation
www.digikey.com

Mouser Electronics
www.mouser.com

EMEA and Israel

Arrow Electronics
www.arrow.com/business-with-arrow.emeasa.html

Digi-Key Corporation
www.digikey.com

EBV Elektronik
www.ebv.com

Mouser Electronics
www.mouser.com

Silica
www.silica.com

Telsys
www.telsys.co.il

Important Notice: The products and services of LS Research described herein are sold subject to LS Research standard terms and conditions of sale. Customers are advised to obtain the most current and complete information about LSR products and services before placing orders. LS Research assumes no liability for applications assistance, customer's applications or product designs, software performance, or infringement of patents. The publication of information regarding any other company's products or services does not constitute LS Research's approval, warranty or endorsement thereof.