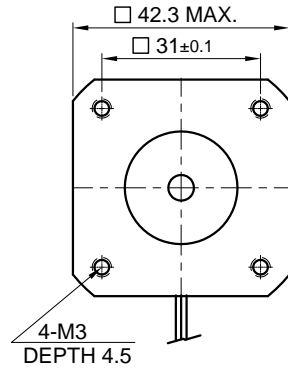
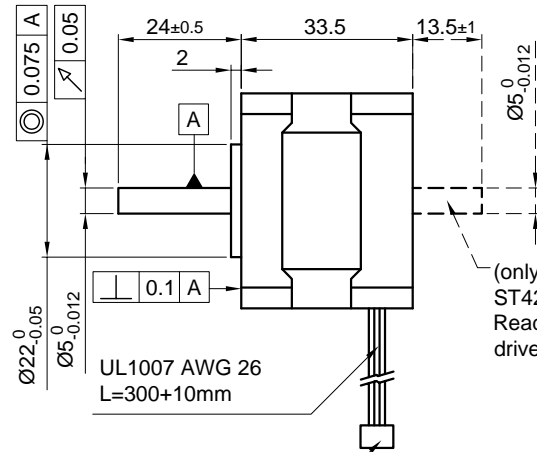


Front view and mounting

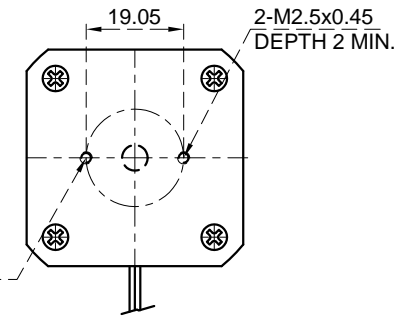


Side view



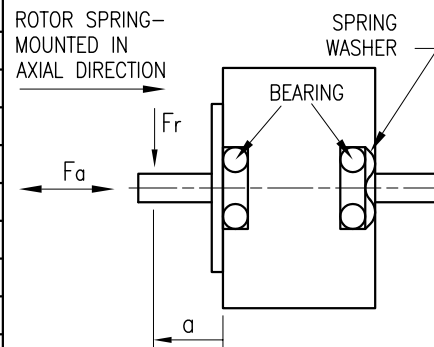
Connector Type: JST XHP-6
Contact: SXH-001T-P0.6

Rear view



SPECIFICATION	CONNECTION	
	UNIPOLAR OR BIPOLAR-1 WINDING	BIPOLAR SERIAL
VOLTAGE (VDC)	4.0	5.63
AMPS/PHASE	0.95	0.67
RESISTANCE/PHASE (Ohms)@25°C	4.2±15%	8.4±15%
INDUCTANCE/PHASE (mH) @1KHz	4.0±20%	16±20%
HOLDING TORQUE (Nm) [lb-in]	0.15 [1.328]	0.212 [1.876]
DETENT TORQUE (Nm) [lb-in]	4.5x10 ⁻³ [0.0398]	
STEP ANGLE (°)	0.9	
STEP ACCURACY (NON-ACCUM)	±5%	
ROTOR INERTIA (Kg-m ²) [lb-in ²]	3.5x10 ⁻⁶ [0.012]	
WEIGHT (Kg) [lb]	0.22 [0.485]	
TEMPERATURE RISE: MAX.80°C (MOTOR STANDSTILL; FOR 2 PHASE ENERGIZED)		
AMBIENT TEMPERATURE -10°~ 50°C [14°F ~ 122°F]		
INSULATION RESISTANCE 100 MOhm (UNDER NORMAL TEMPERATURE AND HUMIDITY)		
INSULATION CLASS B 130° [266°F]		
DIELECTRIC STRENGTH 500VAC FOR 1 MIN. (BETWEEN THE MOTOR COILS AND THE MOTOR CASE)		
AMBIENT HUMIDITY MAX. 85% (NO CONDENSATION)		

PERMISSIBLE RADIAL+AXIAL FORCE



	AXIAL-FORCE Fa (N)	
	AXIAL	RADIAL
AXIAL-FORCE Fa (N)	Fa=7	
DISTANCE a (mm)	5	10
RADIAL-FORCE Fr (N)	58	36
SHAFT PLAY (mm)	0.075	0.025
AT LOAD MAX: (N)	10	5.0

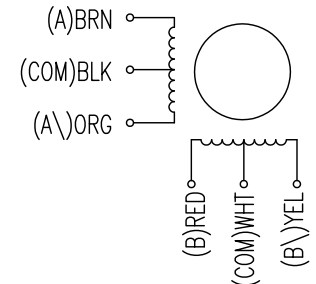
TYPE OF CONNECTION (EXTERN)	MOTOR					
	UNIPOLAR	BIPOLAR		CONNECTOR PIN NO.	LEADS	WINDING
A —	A —	A —	1	BRN	A	A COM
COM —	COM —	COM —	5	BLK	A\	
A\ —	A\ —	A\ —	3	ORG	A\	B COM
B —	B —	B —	2	RED	B	
COM —	COM —	COM —	6	WHT	COM	B\
B\ —	B\ —	B\ —	4	YEL	B\	

for >speed ←
for <speed ←

FULL STEP 2 PHASE-Ex.,
WHEN FACING MOUNTING END (X)

STEP	A	B	A\	B\	
1	+	+	-	-	CCW
2	-	+	+	-	
3	-	-	+	+	CW
4	+	-	-	+	

WIRING DIAGRAM



REV	DESCRIPTION	DATE	APVD	NANOTEC:	SCALE FREE	APVD	S.Hα.	26.02.07	STEPPING MOTOR	
					X ±0.5		CHKD			
					1PL ±0.2		DRN	J.W.	29.06.06	DWG.NO
					2PL ±0.1		SIGNATURE	DATE		
					ANGLE ±30'					ST4209S1006