

**PLEASE CHECK WWW.MOLEX.COM FOR LATEST PART INFORMATION**

**Part Number:** [52559-1052](#)  
**Status:** **Active**  
**Overview:** FFC-FPC (SMT)  
**Description:** 0.50mm Pitch FFC/FPC Connector, Vertical, SMT, ZIF, 10 Circuits, Lead-Free, Gold Contact Plating, High Barrier Packaging

**Documents:**

<a href="#">3D Model</a>	<a href="#">Application Specification AS-52559-001 (PDF)</a>
<a href="#">Drawing (PDF)</a>	<a href="#">Packaging Specification SPK-52559-003 (PDF)</a>
<a href="#">Product Specification PS-52559-013 (PDF)</a>	<a href="#">RoHS Certificate of Compliance (PDF)</a>

**Agency Certification**

UL E29179

**General**

Product Family	FFC/FPC Connectors
Series	<a href="#">52559</a>
Overview	<a href="#">FFC-FPC (SMT)</a>
Product Name	N/A
UPC	822348533893

**Physical**

Circuits (Loaded)	10
Contact Position	N/A
Durability (mating cycles max)	20
Entry Angle	Vertical
Flammability	94V-0
Mated Height	3.90mm
Material - Metal	Phosphor Bronze
Material - Plating Mating	Gold
Material - Plating Termination	Tin
Material - Resin	Nylon
Net Weight	172.892/mg
Number of Rows	1
Orientation	Vertical
PCB Locator	No
PCB Retention	Yes
Packaging Type	Embossed Tape on Reel
Pitch - Mating Interface	0.50mm
Polarized to PCB	No
Stackable	No
Temperature Range - Operating	-40°C to +85°C
Termination Interface: Style	Surface Mount
Wire/Cable Type	FFC/FPC

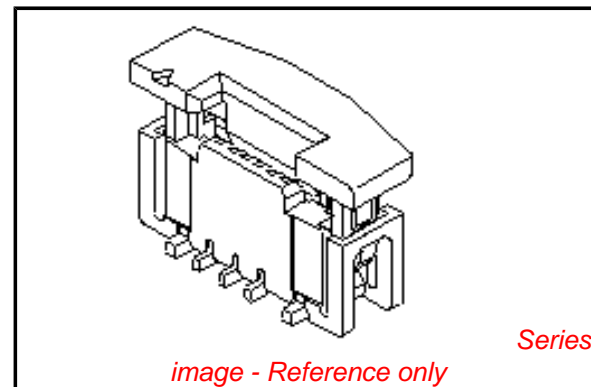
**Electrical**

Current - Maximum per Contact	0.5A
Voltage - Maximum	50V AC (RMS)/DC

**Material Info**

**Reference - Drawing Numbers**

Application Specification	AS-52559-001
Packaging Specification	SPK-52559-003
Product Specification	PS-52559-013, RPS-52559-062, RPS-52559-064, RPS-52559-065, RPS-52559-068, RPS-52559-070,



**EU RoHS**

**ELV and RoHS Compliant**  
**REACH SVHC Contains SVHC: No**  
**Low-Halogen Status Not Low-Halogen**

**China RoHS**



**Need more information on product environmental compliance?**

Email [productcompliance@molex.com](mailto:productcompliance@molex.com)  
 For a multiple part number RoHS Certificate of Compliance, [click here](#)

Please visit the [Contact Us](#) section for any non-product compliance questions.

**Search Parts in this Series**

[52559Series](#)

Sales Drawing

RPS-52559-072, RPS-52559-074, RPS-52559-086,  
RPS-52559-087, RPS-52559-089, RPS-52559-092  
SD-52559-048, SD-52559-049

This document was generated on 03/08/2013

**PLEASE CHECK [WWW.MOLEX.COM](http://WWW.MOLEX.COM) FOR LATEST PART INFORMATION**