

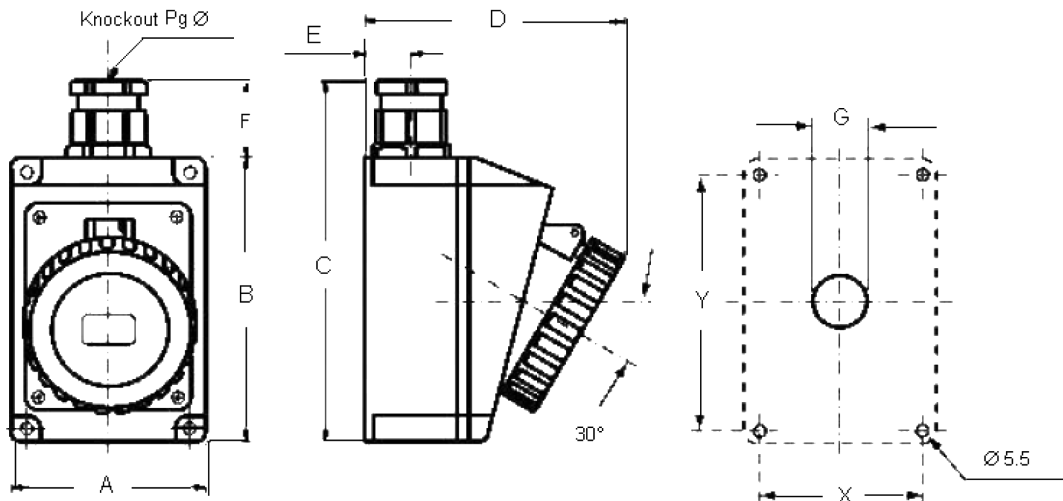
Mains Plug PEW16/32_pp Series

pro-POWER



Features:

- In compliance with EN 60309-1 and EN 60309-2 standards
- Enclosure, insert and spring lid in insulating, thermoplastic, self-extinguishing material
- RAL 7035 grey enclosure, spring lid colour coded according to the operating voltage
- Supplied with gland and locknut or hole can be drilled to suit
- Spring lid with locking ring and gasket, entry with cable gland



Dimensions

Current Rating (A)	Poles	A	B	C	D	E	F	G	X	Y	PgØ Knockout
16	2P + \perp	75	115	150	105	19	33	Ø22	65	105	16
	3P + \perp				108						
	3P + N + \perp										
32	2P + \perp	100	130	172	120	22	42	Ø28	85	115	21
	3P + \perp										
	3P + N + \perp										

Dimensions : Millimetres

pro-POWER

Mains Plug

PEW16/32_pp Series

pro-POWER

Part Number Table

Description	No. of Positions	Part Number
Socket, 240V, IP67, Wall Mount	2P + E	PEW1663PPB
Socket, 240V, 2P + E, Wall Mount	2P + E	PEW3263PPA

Important Notice : This data sheet and its contents (the "Information") belong to the members of the Premier Farnell group of companies (the "Group") or are licensed to it. No licence is granted for the use of it other than for information purposes in connection with the products to which it relates. No licence of any intellectual property rights is granted. The Information is subject to change without notice and replaces all data sheets previously supplied. The Information supplied is believed to be accurate but the Group assumes no responsibility for its accuracy or completeness, any error in or omission from it or for any use made of it. Users of this data sheet should check for themselves the Information and the suitability of the products for their purpose and not make any assumptions based on information included or omitted. Liability for loss or damage resulting from any reliance on the Information or use of it (including liability resulting from negligence or where the Group was aware of the possibility of such loss or damage arising) is excluded. This will not operate to limit or restrict the Group's liability for death or personal injury resulting from its negligence. pro-POWER is the registered trademark of the Group. © Premier Farnell plc 2012.

www.element14.com
www.farnell.com
www.newark.com
www.cpc.co.uk

pro-POWER