

Chassis Plug Mini DIN 6 Pole

pro-SIGNAL

RoHS
Compliant

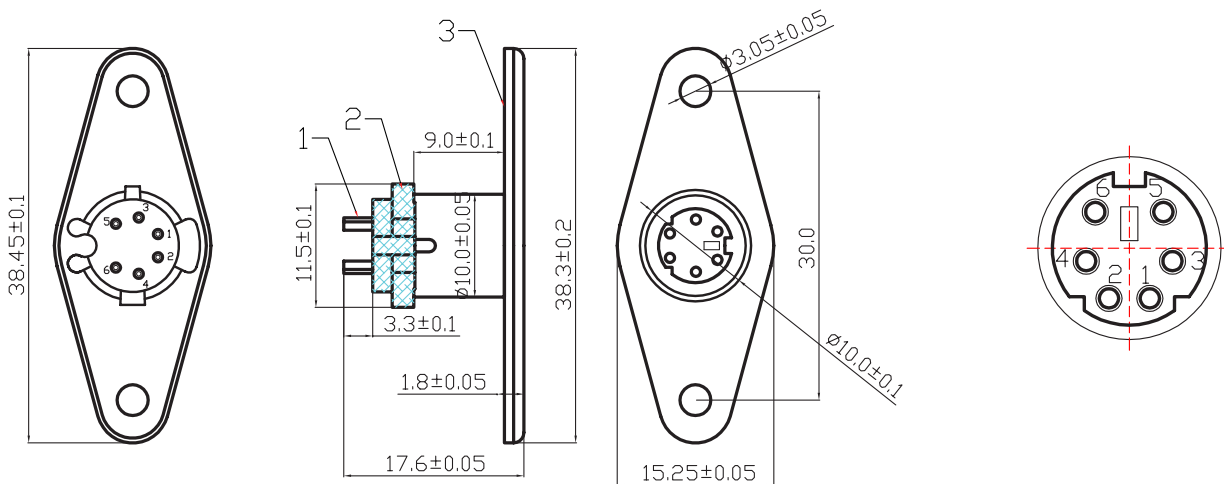


Specifications:

Max. Rating	: 100V AC 1A or 12V DC 2A
Insulation Resistance	: 50mΩ at 250V DC
Dielectric Strength	: 250V AC/1 minute
Max. Contact Resistance	: 30MΩ
Max. Insertion Force	: 4.5kg
Withdrawal Force	: 0.9kg to 3kg
Connector Type	: Audio, DIN
Contact Plating	: Silver
Mounting Type	: Chassis

Materials:

Housing	: Fibre + Nylon
Metal Shell	: Brass/Nickel Plated
Contacts	: Phosphor Bronze, Silver Plated



Dimensions : Millimetres

Item	Designation	Material
1	Pin	Brass
2	Dielectric	PBT
3	Body	Fe

Part Number Table

Description	Part Number
Chassis Plug, Mini DIN 6 Pole	PSG01567

Important Notice : This data sheet and its contents (the "Information") belong to the members of the Premier Farnell group of companies (the "Group") or are licensed to it. No licence is granted for the use of it other than for information purposes in connection with the products to which it relates. No licence of any intellectual property rights is granted. The Information is subject to change without notice and replaces all data sheets previously supplied. The Information supplied is believed to be accurate but the Group assumes no responsibility for its accuracy or completeness, any error in or omission from it or for any use made of it. Users of this data sheet should check for themselves the Information and the suitability of the products for their purpose and not make any assumptions based on information included or omitted. Liability for loss or damage resulting from any reliance on the Information or use of it (including liability resulting from negligence or where the Group was aware of the possibility of such loss or damage arising) is excluded. This will not operate to limit or restrict the Group's liability for death or personal injury resulting from its negligence. pro-SIGNAL is the registered trademark of the Group. © Premier Farnell plc 2012.

www.element14.com
www.farnell.com
www.newark.com
www.cpc.co.uk

pro-SIGNAL