

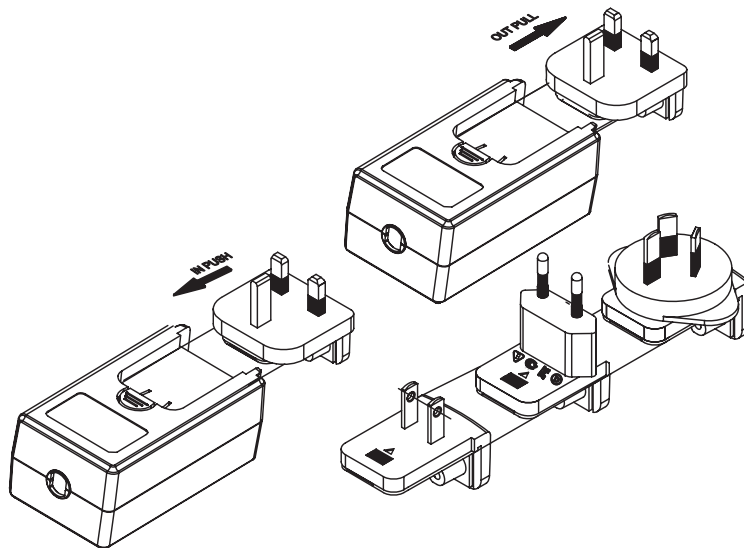


# IDEALPOWER

experts in power conversion

Ideal Power Ltd Product Specification Document

<b>Description</b>	Ext. PSU
<b>Model Number</b>	25HK-AB-120A250-CP
<b>Revision</b>	A1
<b>Notes</b>	-



CUSTOMER APPROVED SIGNATURES			VENDOR APPROVED SIGNATURES		

**Ideal Power Ltd**

Ideal Power, Ideal House, Tree Beech Enterprise Park, Gunn, Barnstaple, Devon, EX32 7NZ, England, UK

Tel: +44 (0) 845 260 3400

Email: sales@idealpower.co.uk

Web: www.idealpower.co.uk



---

## CONTENTS

- . INTRODUCTION
- . INPUT REQUIREMENTS
- . OUTPUT REQUIREMENTS
- . EFFICIENCY
- . LINE REGULATION
- . HOLD UP TIME
- . TURN ON TIME
- . TEMPERATURE COEFFICIENT
- . DIELECTRIC STRENGTH (Hi-Pot) TEST
  - . INSULATION RESISTANCE
  - PROTECTION
  - ENVIRONMENTAL CONDITIONS
  - . EMI/ EMC
- . RELIABILITY AND QUALITY CONTROL
- . SAFETY
- OVERALL DRAWING
- USE SPECIFICATION
- PACKING
- MARKING

## 1.0 INTRODUCTION

This document specifies a switching power supply with a output of +12V, and electronic process. The switching power supply will provide power for technology equipments including electrical business equipment. The adaptor meets the requirement of lead free and RoHS.

## 2.0 INPUT REQUIREMENTS

2.1 Input Voltage Range: 100(-10%)VAC to 240(+10%)VAC

2.2 Input Frequency Range: 47 Hz to 63 Hz

2.3 Input Power Consumption at no-load : 0.3W Max

2.4 Input In-rush Current: 50A Max

2.5 Input Current: 0.8A Max

## 3.0 OUTPUT REQUIREMENTS

3.1 Output Voltage: +12V

3.2 Output Regulation: 11.4-12.6V

3.3 Output Load Range: 2.5A

3.4 Output Ripple & Noise: 120mV Max @20MHz bandwidth with  
10UF/50V capacitance and 104/50V ceramic capacitor.

4.0 EFFICIENCY:  $\geq 83.62\%$  @ average of 25/50/75/100% loads 115V&230VAC input

5.0 LINE REGULATION:  $\pm 2\%$  maximum

6.0 HOLD UP TIME: 10ms Min at 110VAC full load.

7.0 TURN ON TIME: 2S Max at 110VAC full load.

8.0 TEMPERATURE COEFFICIENT: 0.05%/°C

9.0 DIELECTRIC STRENGTH (Hi-Pot) TEST

9.1 Primary to Secondary :AC 3000Vrms, 4 mA , 1 minute for type test, 2 second for production test.

10.0 INSULATION RESISTANCE

Primary to secondary: 50M OHM to 500VDC.

11.0 PROTECTION

11.1 Input Protection

The switching power supply has a 2 Amps inner current fuse to protect itself.

11.2 Output Protection

11.2.1 Output Current:

Overload conditions shall decrease the output voltage. Removal of an output overload shall provide automatic recovery for the output voltage.

11.2.2 Short Circuit Protection: Auto Recovery.

## 12.0 ENVIRONMENTAL CONDITIONS

The switching power supply can withstand the following environmental conditions:

12.1 Storage Temperature: -20°C ~ +70 °C

Relative Humidity: 10% ~ 95%

12.2 Operation Temperature: 0°C~40°C

Relative Humidity: 10%~95%

## 13.0 EMI / EMC

The switching power supply has approved by the following standards:

FCC PART 15B AS/NZS 55022/55024 J55022(H20)

(1)EN55022(EN61000-3-2.EN61000-3-3)

(2)EN55024(IEC61000-4-2.IEC61000-4-3.IEC61000-4-4.

IEC61000-4-6.IEC61000-4-8.IEC61000-4-11.)

## 14.0 RELIABILITY AND QUALITY CONTROL

### 14.1 Burn-in

The burn-in test will be performed at least 2 hours at 40 centigrade degrees under full load condition.

### 14.2 MTBF

When the operation is complying with this specification, the switching power supply's MTBF will be 50,000 hours at 25 centigrade degrees.

## 15.0 SAFETY

The switching power supply has approved by the following safety standards:

UL60950-1 2nd Edition ,2007-03-27 CSA C22.2 NO.60950-1-07,

2nd Edition.2007-03 EN 60950-1:2006+A11+A1+A12

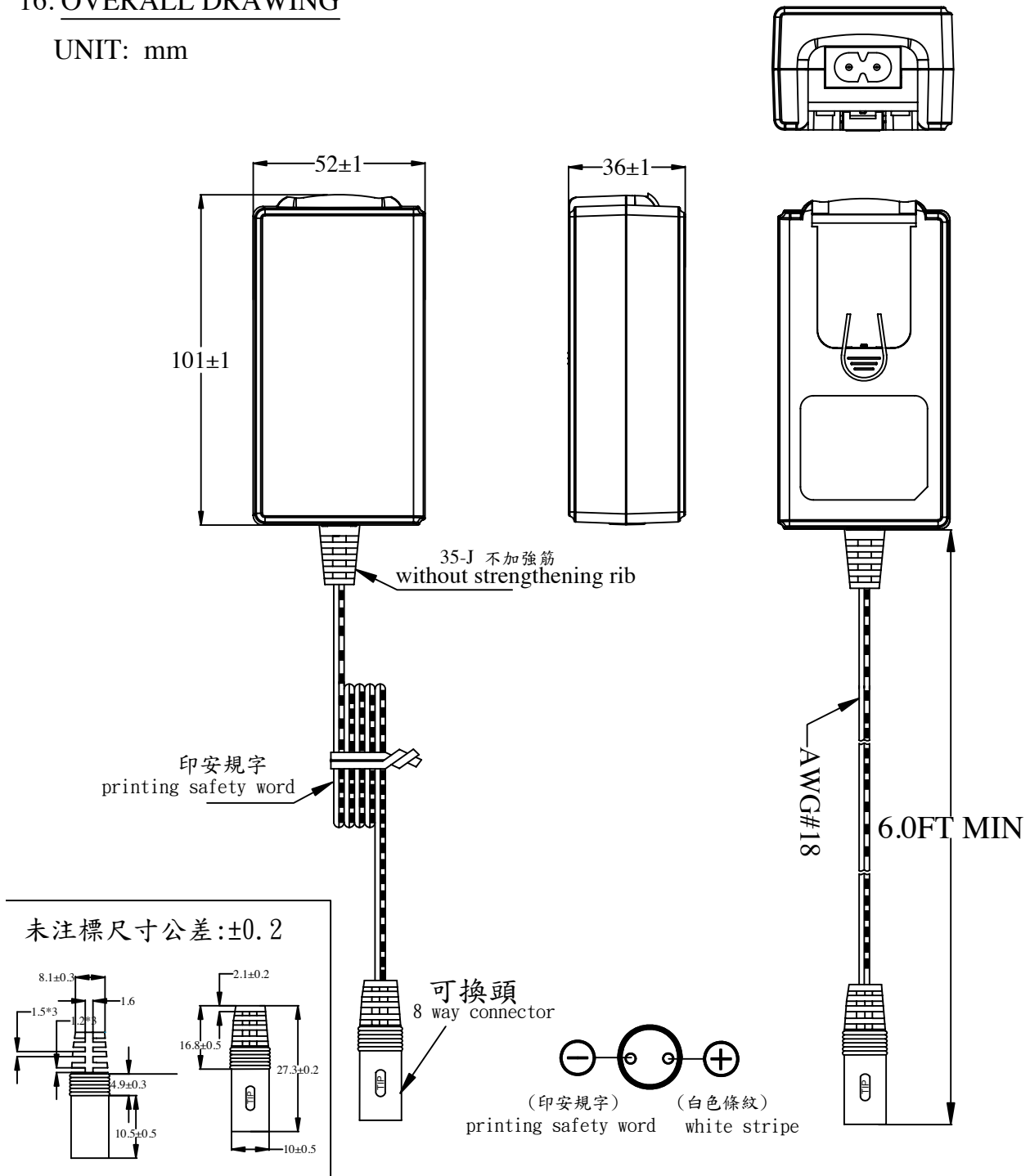
BS EN60950-1:2006+A1+A12 AS/NZS 60950.1:2011

技術基準 省令第2項 : J60950(H19), J55022(H20), J3000(H21)

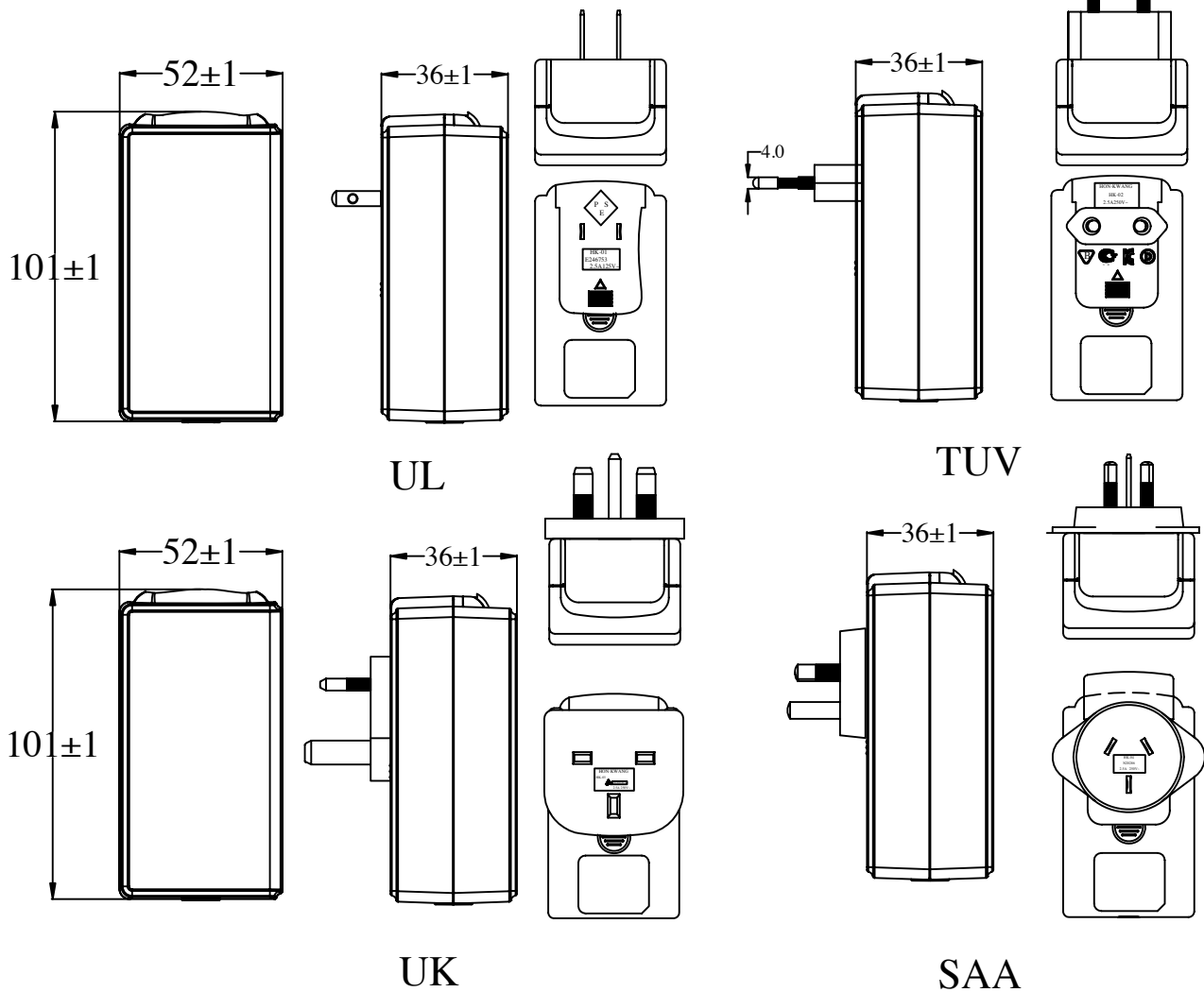
Technical Requirements Clause 2: J60950 (H19): 2007, J55022 (H20): 2008, J3000 (H21): 2009

## 16. OVERALL DRAWING

UNIT: mm

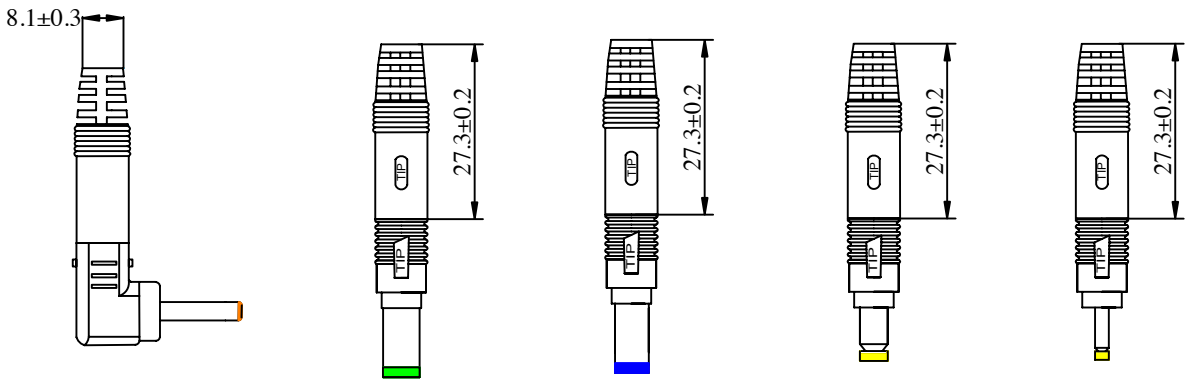
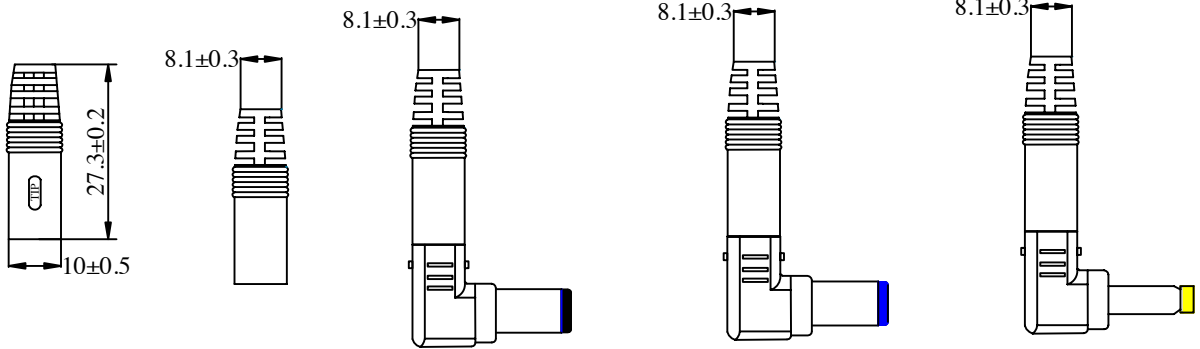


UNIT: mm





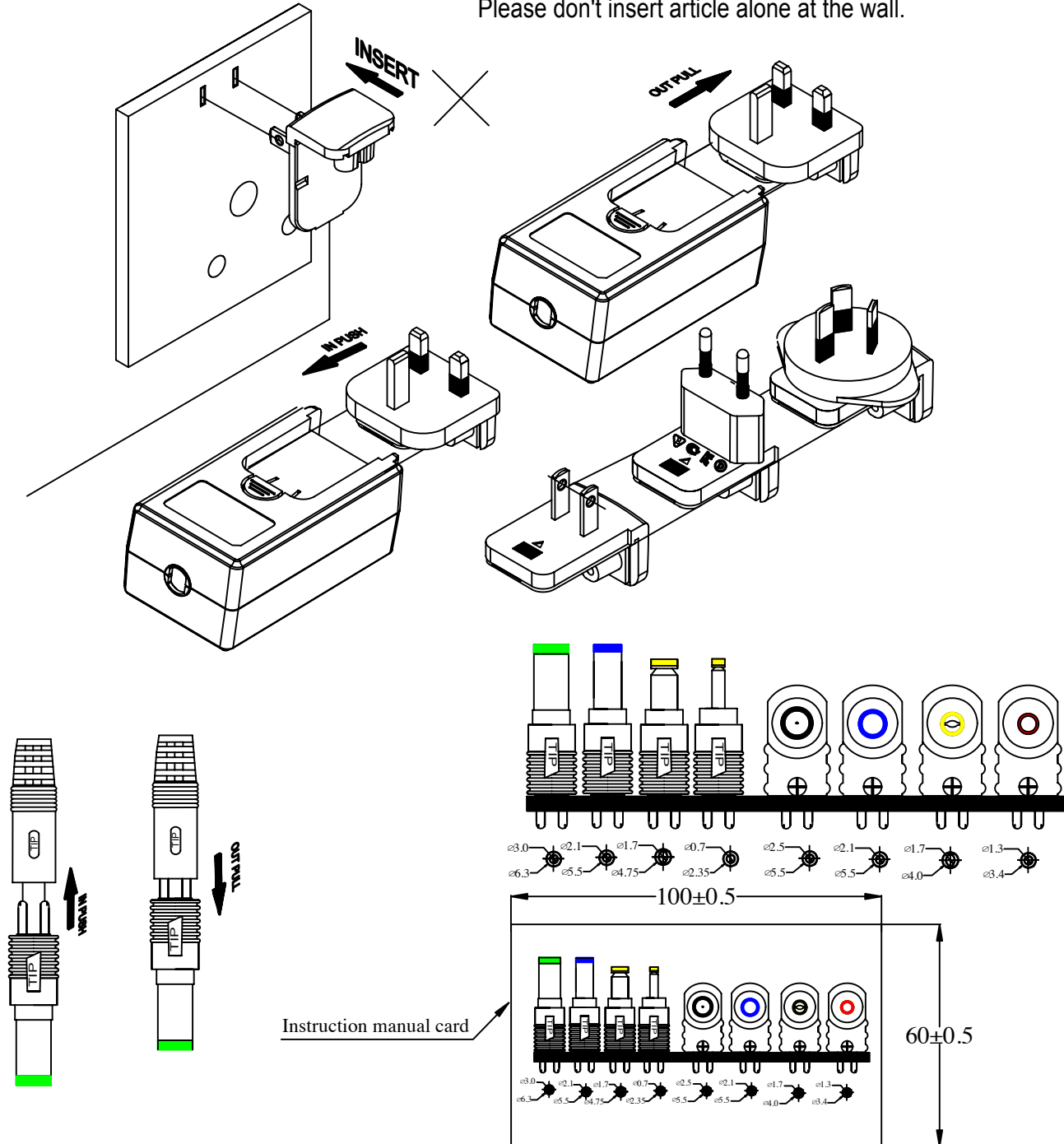
UNIT: mm



## 17. USE SPECIFICATION

### WARNING!

Please don't insert article alone at the wall.



## 17. PACKING

### 17.1 Inner Box

UNIT: mm

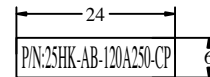
BOX (  Normal BOX  Corrugated BOX )

Length: 145

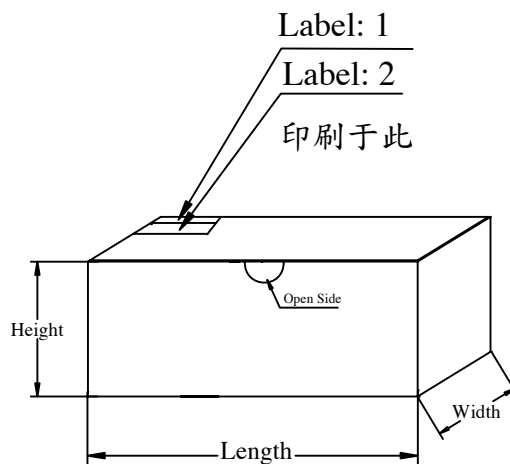
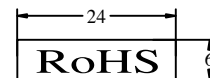
Width: 75

Height: 65

Label: 1



Label: 2



Material: A 卡400磅(0.53t) White

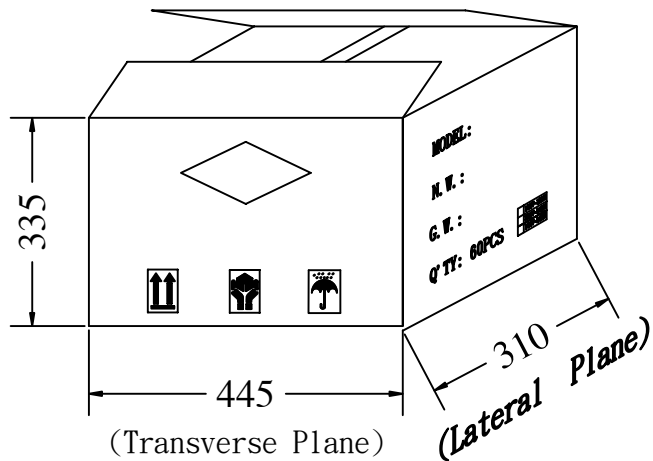
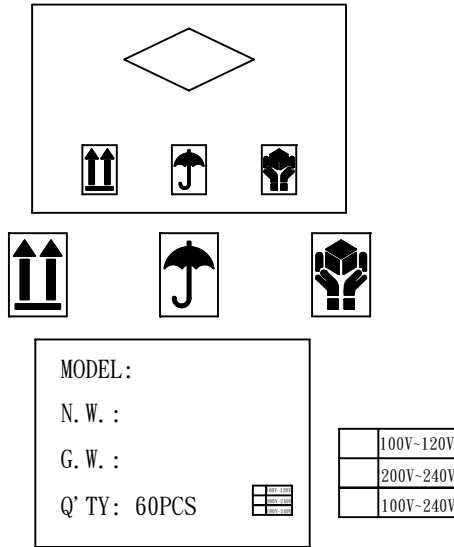
#### NOTICE:

Its probably different from the white box of the sample and the figure dimension.  
The white box is used to pack during product.

17. PACKING

17.2 Carton

UNIT: mm



## 18. MARKING

200# CPC 合成紙+上光 NAME-PLATE:WHITE CHARACTERS BLACK BACKGROUND.

UNIT: mm

	M	M	Y	Y	C
month			year		
			made in China		
			by Hon-kwang		

